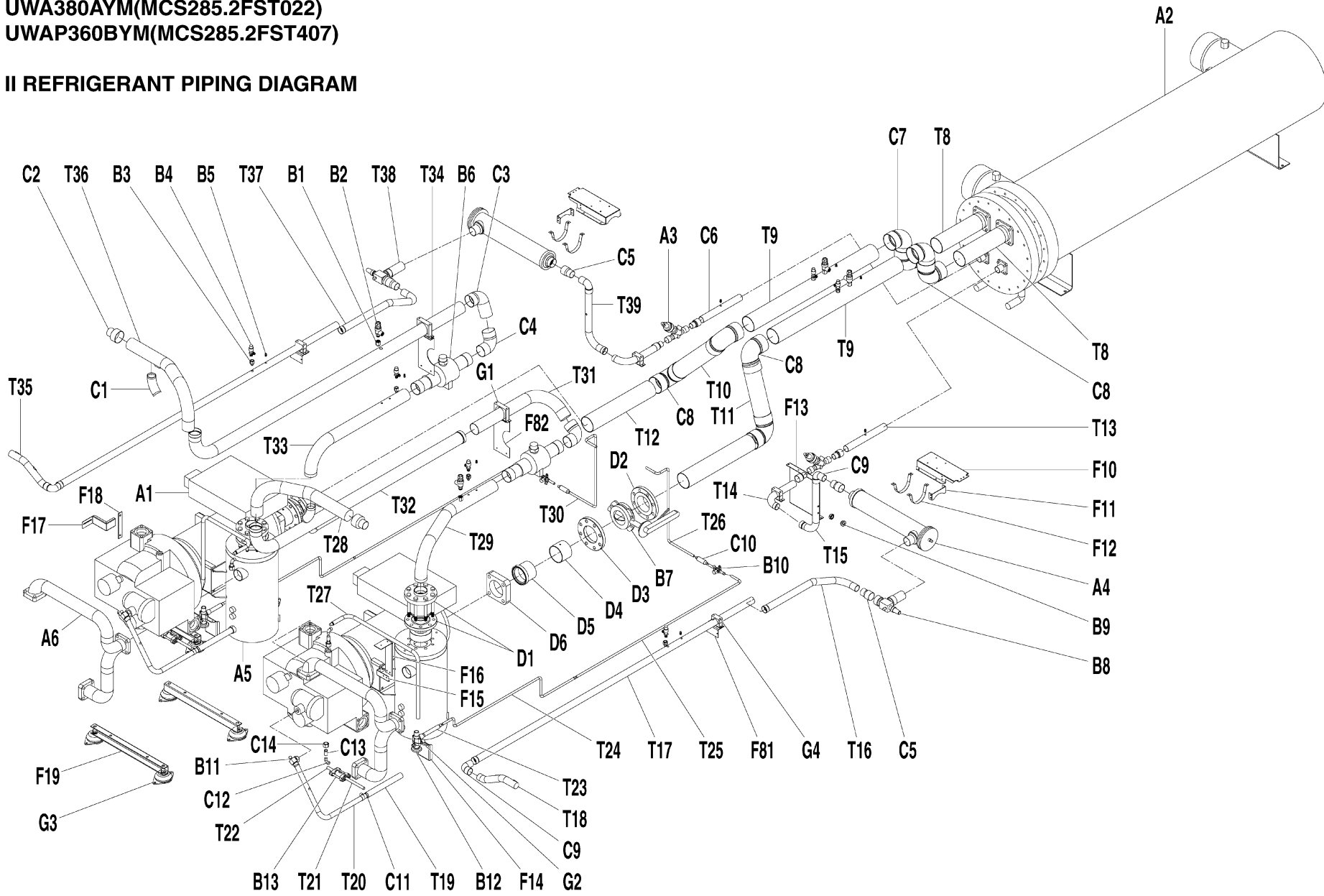


UWA380AYM / UWAP360BYM (McQuay Model: MCS285 .2FST022 MCS285 .2FST407)

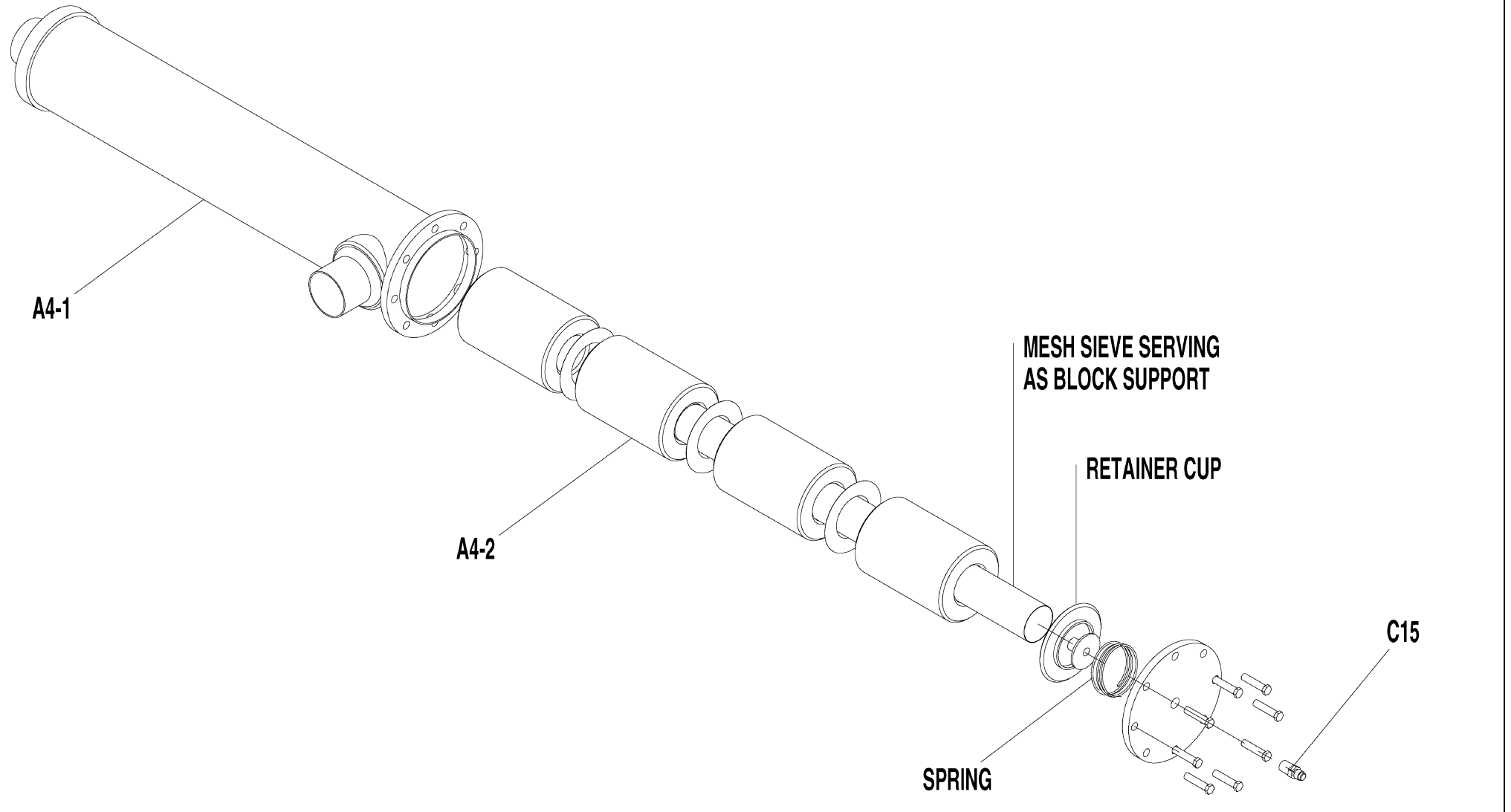
UWA380AYM(MCS285.2FST022)
UWAP360BYM(MCS285.2FST407)

II REFRIGERANT PIPING DIAGRAM



UWA380AYM(MCS285.2FST022)
UWAP360BYM(MCS285.2FST407)

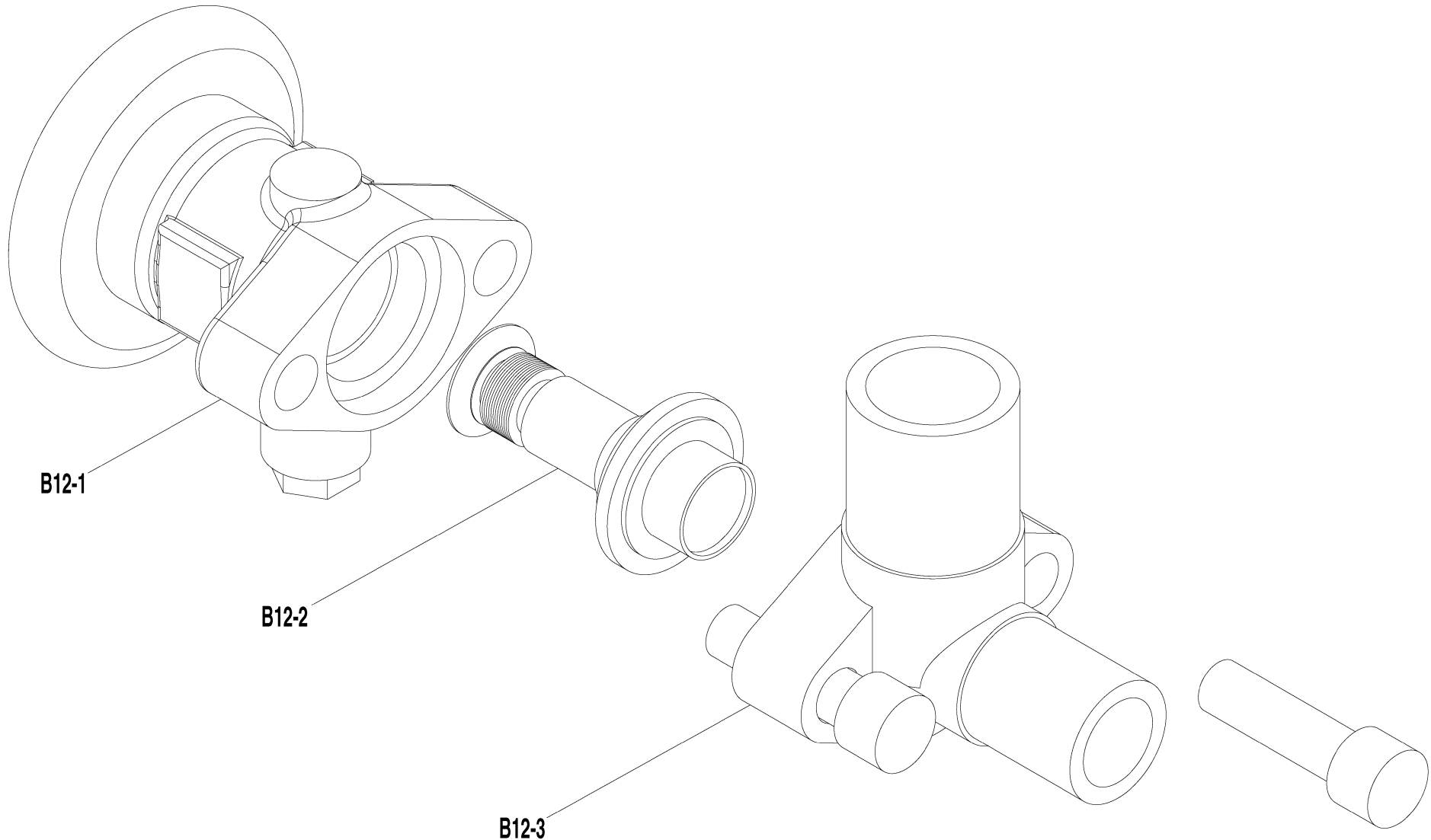
A4 FILTER DRIER ASSY



UWA380AYM / UWAP360BYM (McQuay Model: MCS285 .2FST022 MCS285 .2FST407)

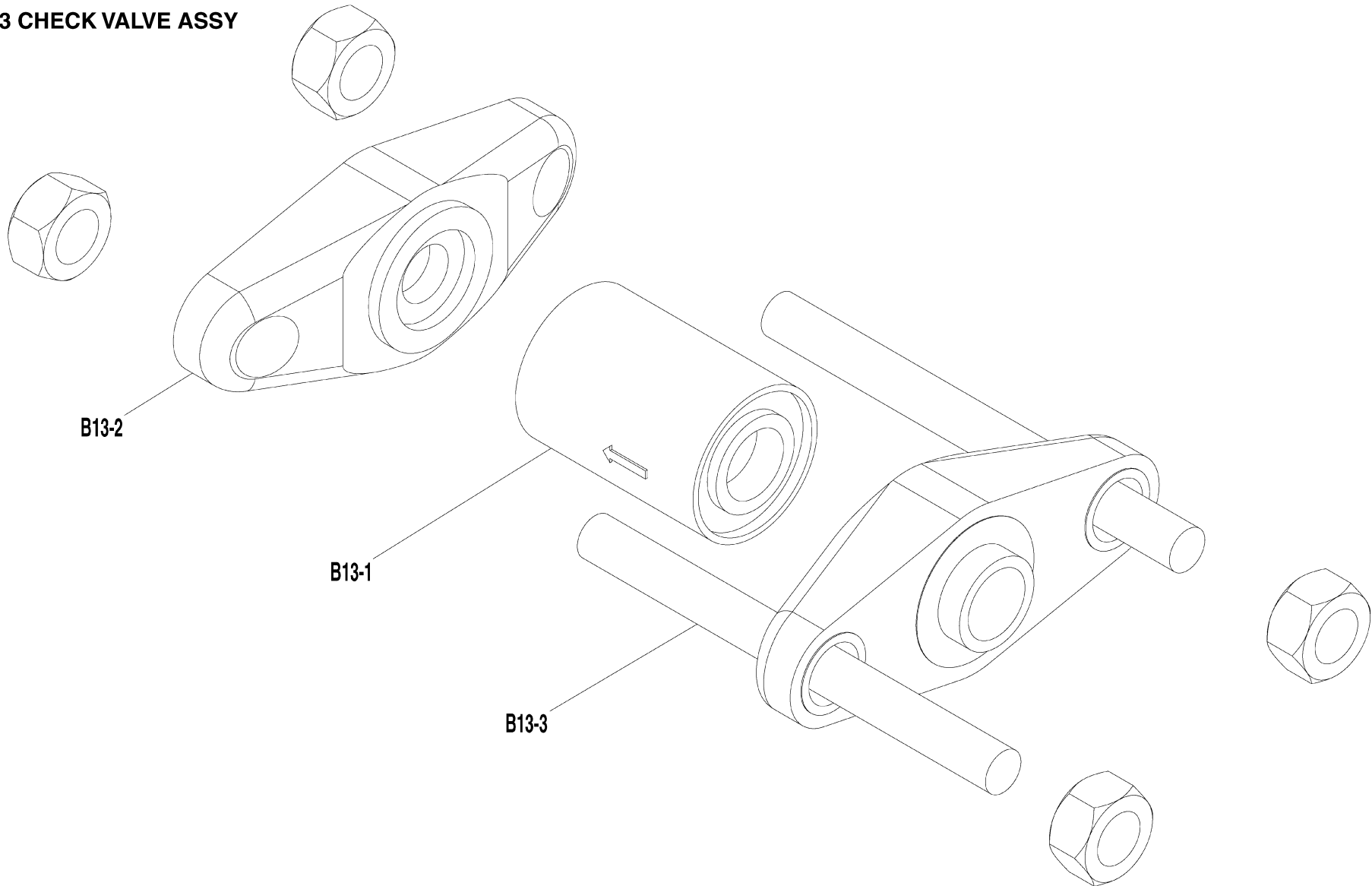
UWA380AYM(MCS285.2FST022)
UWAP360BYM(MCS285.2FST407)

B12 THERMAL EXPANSION VALVE



UWA380AYM(MCS285.2FST022)
UWAP360BYM(MCS285.2FST407)

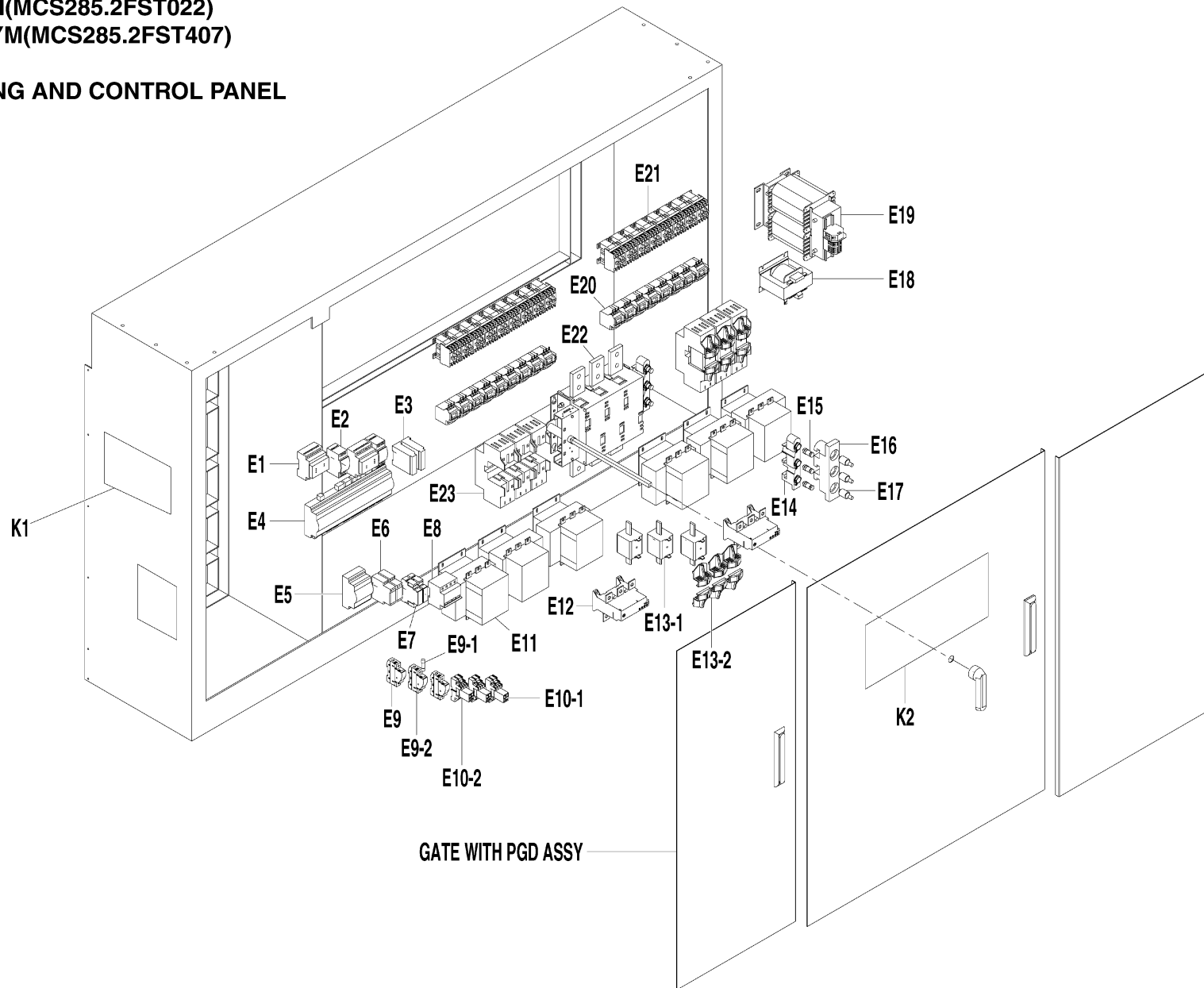
B13 CHECK VALVE ASSY



UWA380AYM / UWAP360BYM (McQuay Model: MCS285 .2FST022 MCS285 .2FST407)

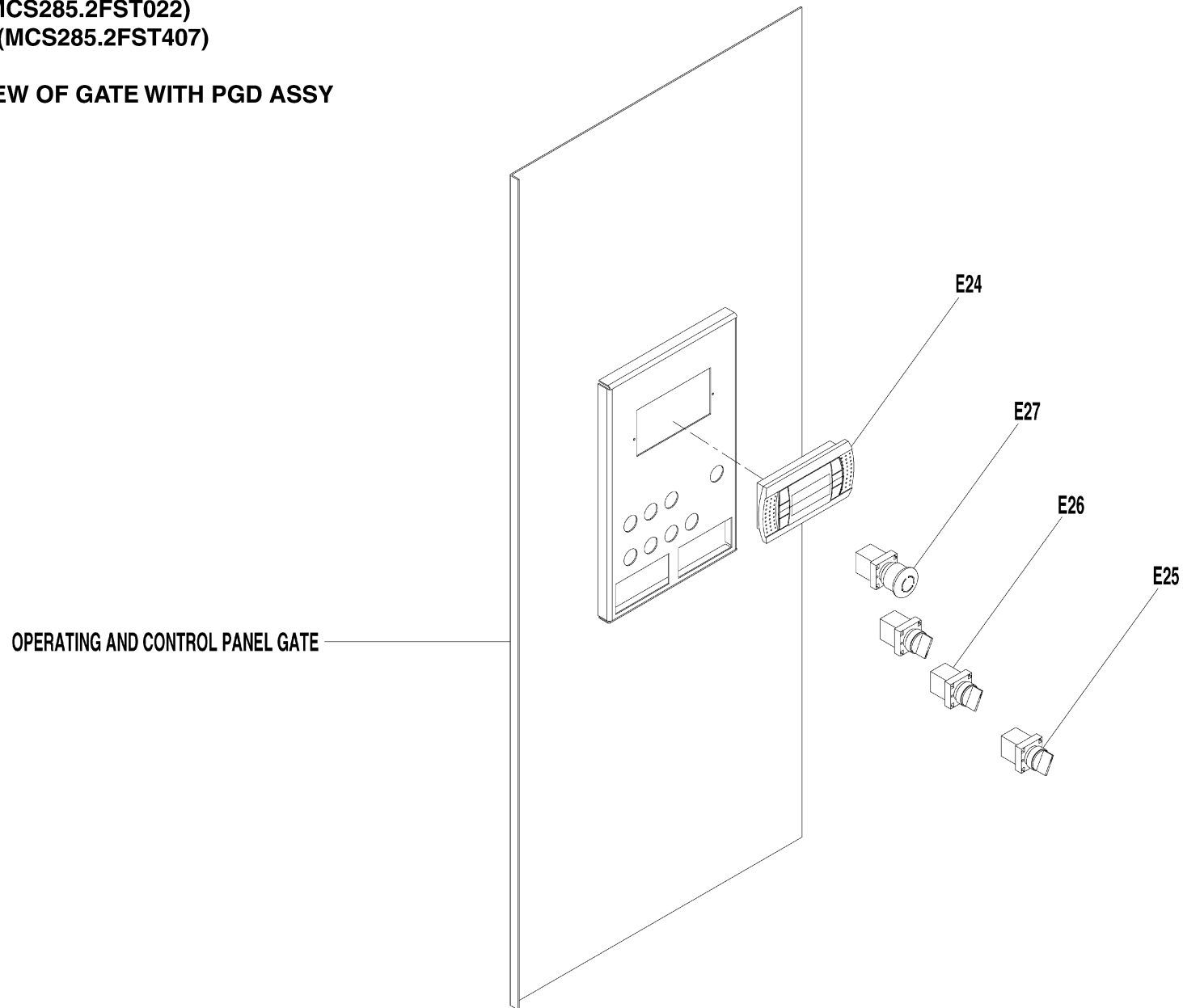
UWA380AYM(MCS285.2FST022)
UWAP360BYM(MCS285.2FST407)

III OPERATING AND CONTROL PANEL



UWA380AYM(MCS285.2FST022)
UWAP360BYM(MCS285.2FST407)

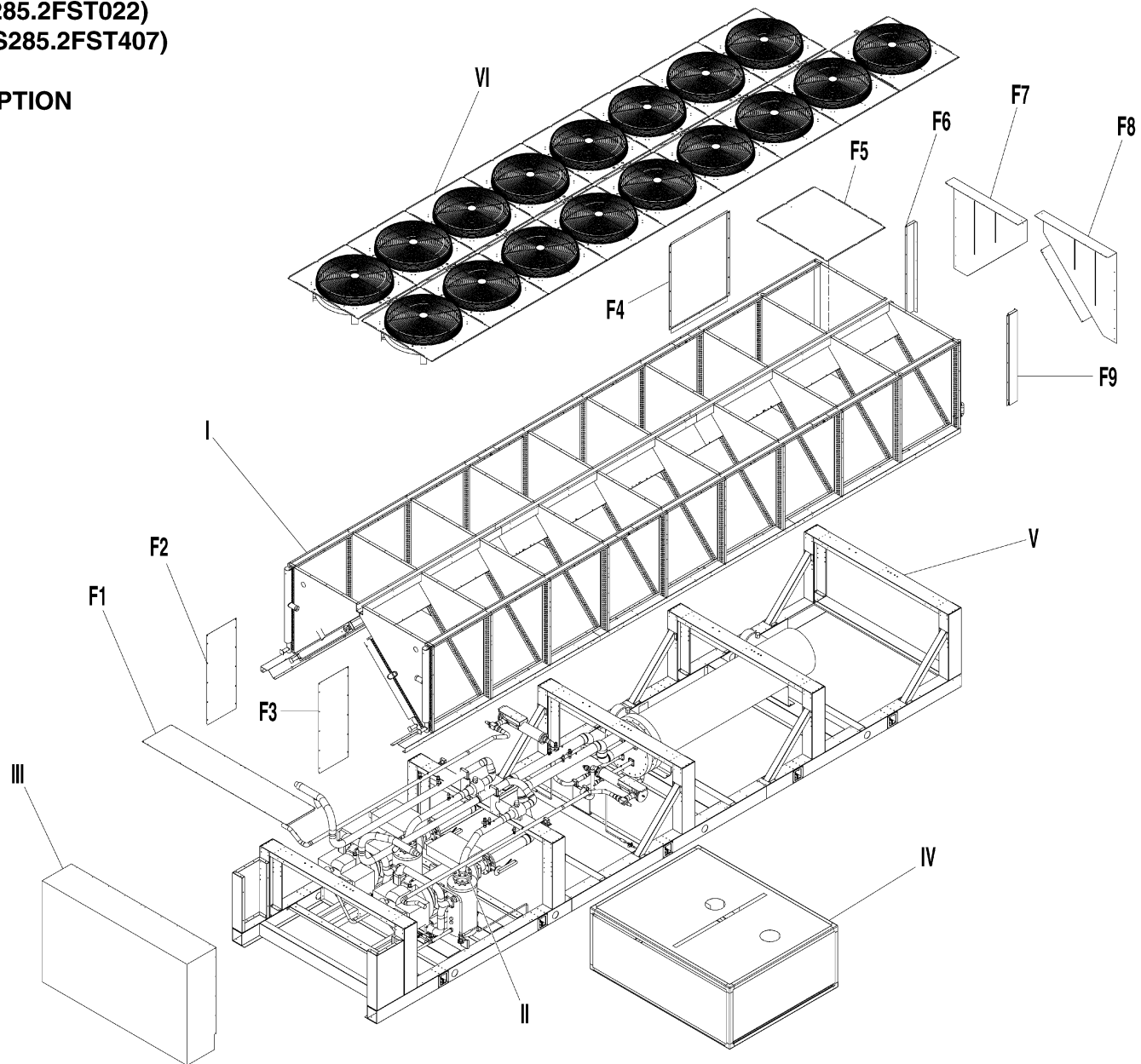
EXPLODED VIEW OF GATE WITH PGD ASSY



UWA380AYM / UWAP360BYM (McQuay Model: MCS285 .2FST022 MCS285 .2FST407)

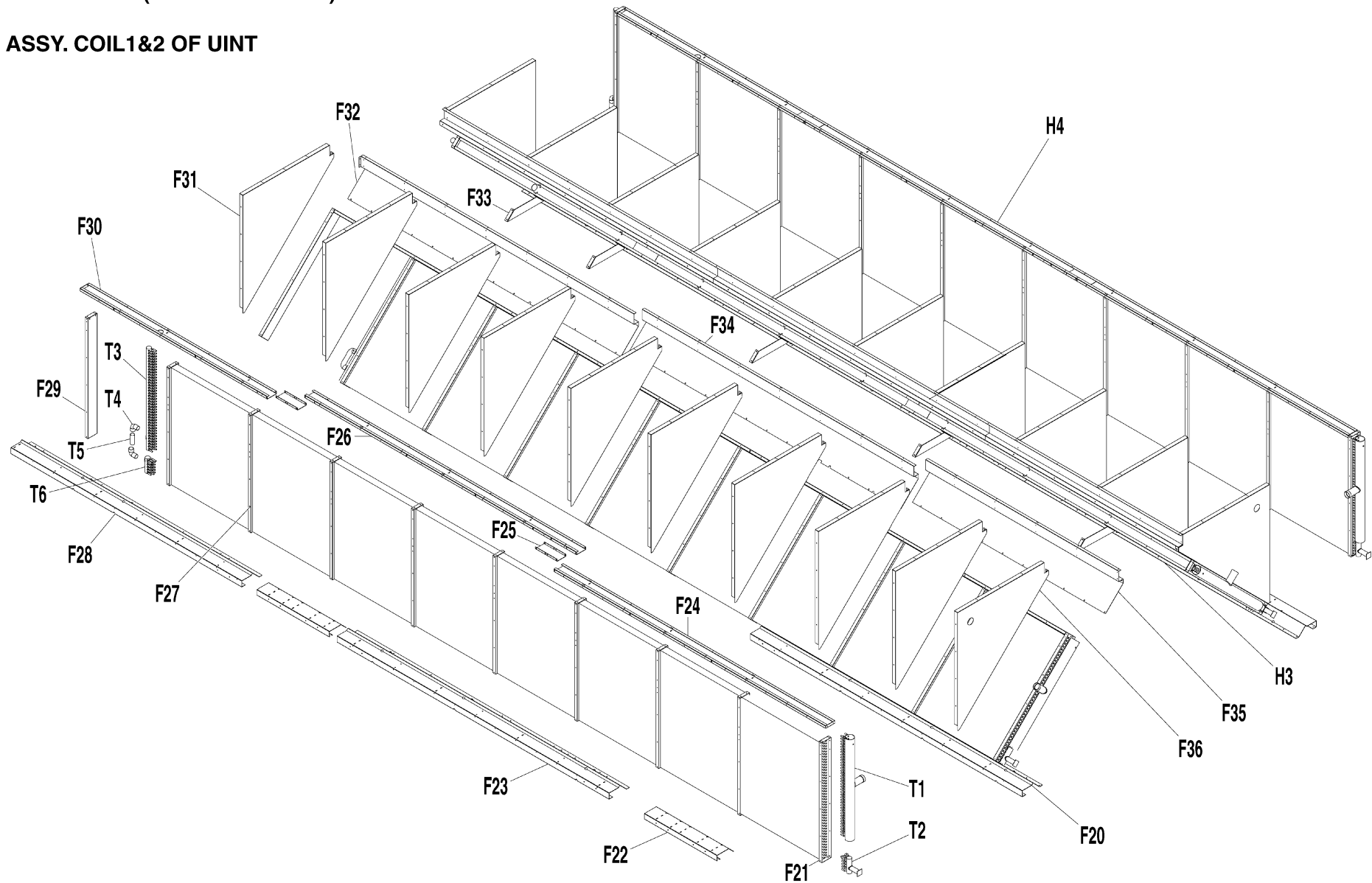
UWA380AYM(MCS285.2FST022)
UWAP360BYM(MCS285.2FST407)

GENERAL DESCRIPTION



UWA380AYM(MCS285.2FST022)
UWAP360BYM(MCS285.2FST407)

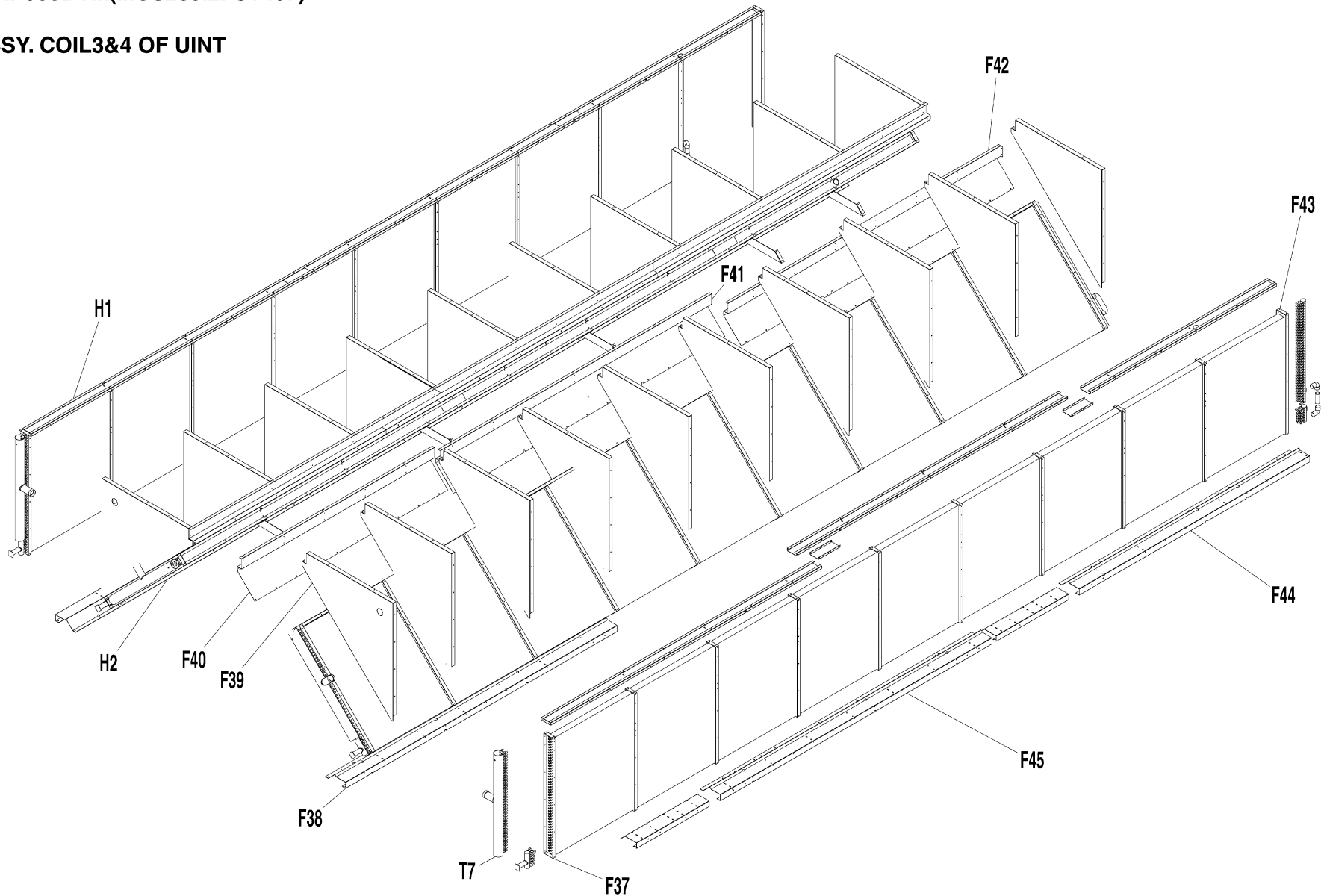
I ASSY. COIL1&2 OF UINT



UWA380AYM / UWAP360BYM (McQuay Model: MCS285 .2FST022 MCS285 .2FST407)

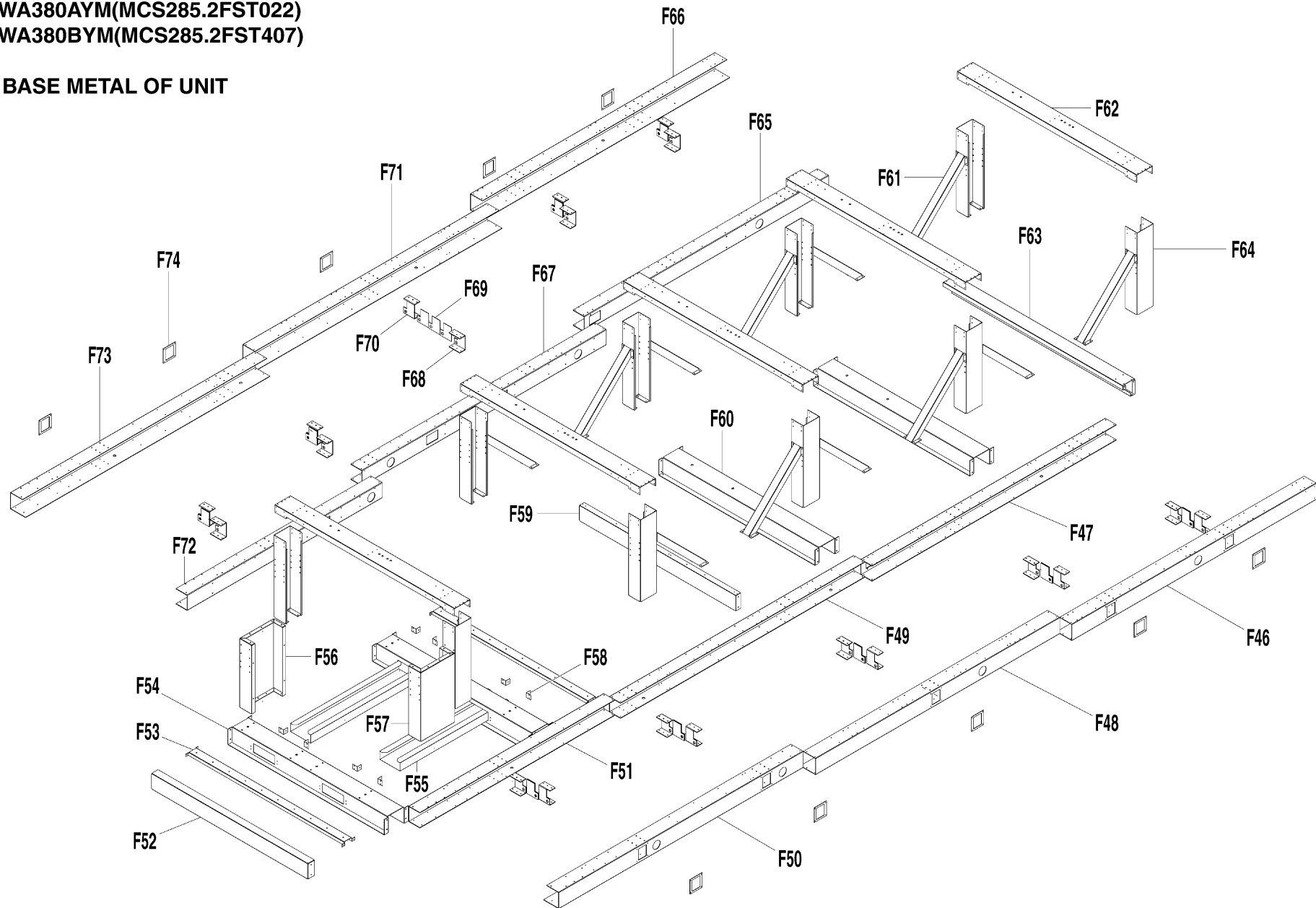
UWA380AYM(MCS285.2FST022)
UWAP360BYM(MCS285.2FST407)

I ASSY. COIL3&4 OF UINT



UWA380AYM(MCS285.2FST022)
UWA380BYM(MCS285.2FST407)

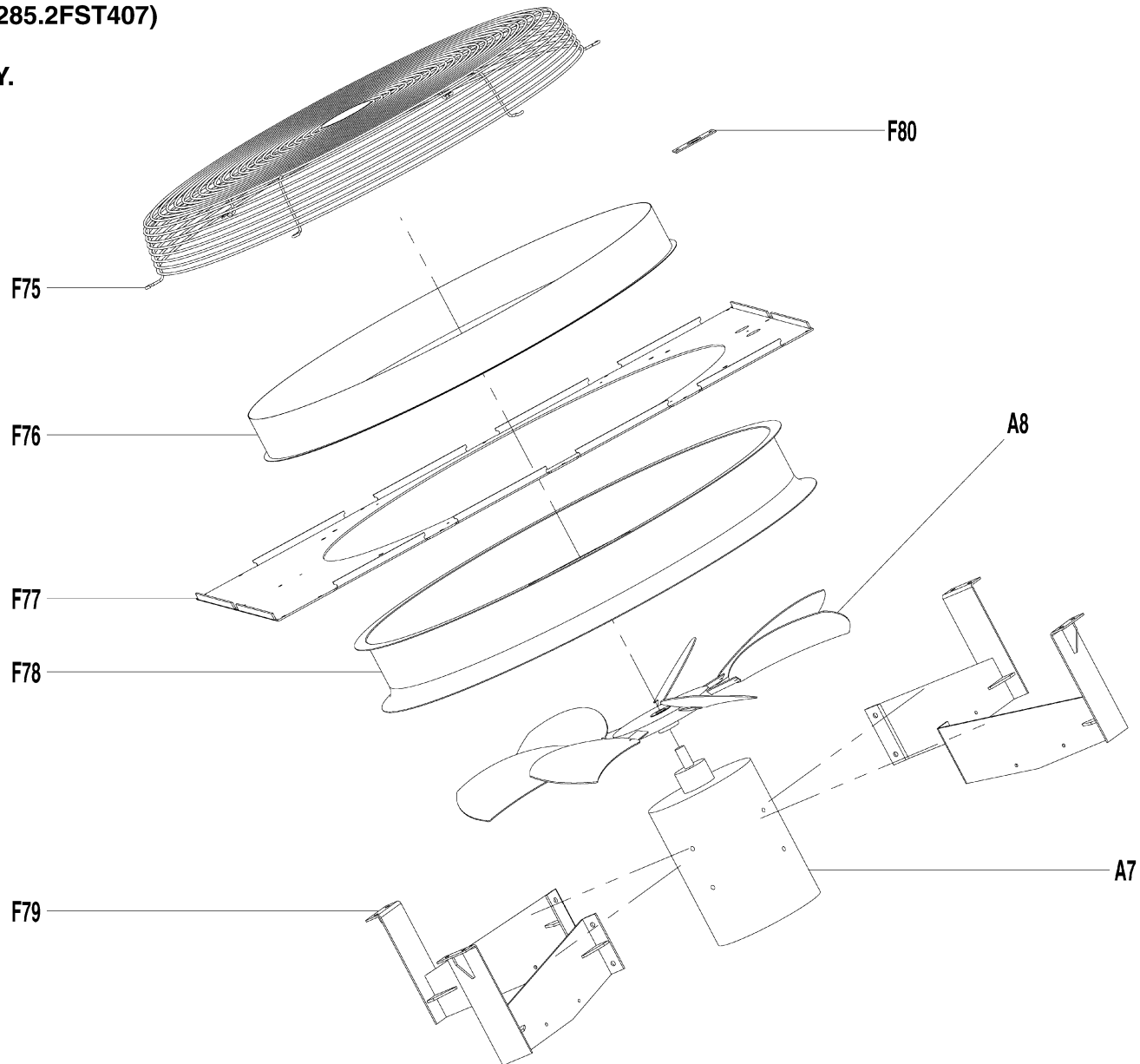
V BASE METAL OF UNIT



UWA380AYM / UWAP360BYM (McQuay Model: MCS285 .2FST022 MCS285 .2FST407)

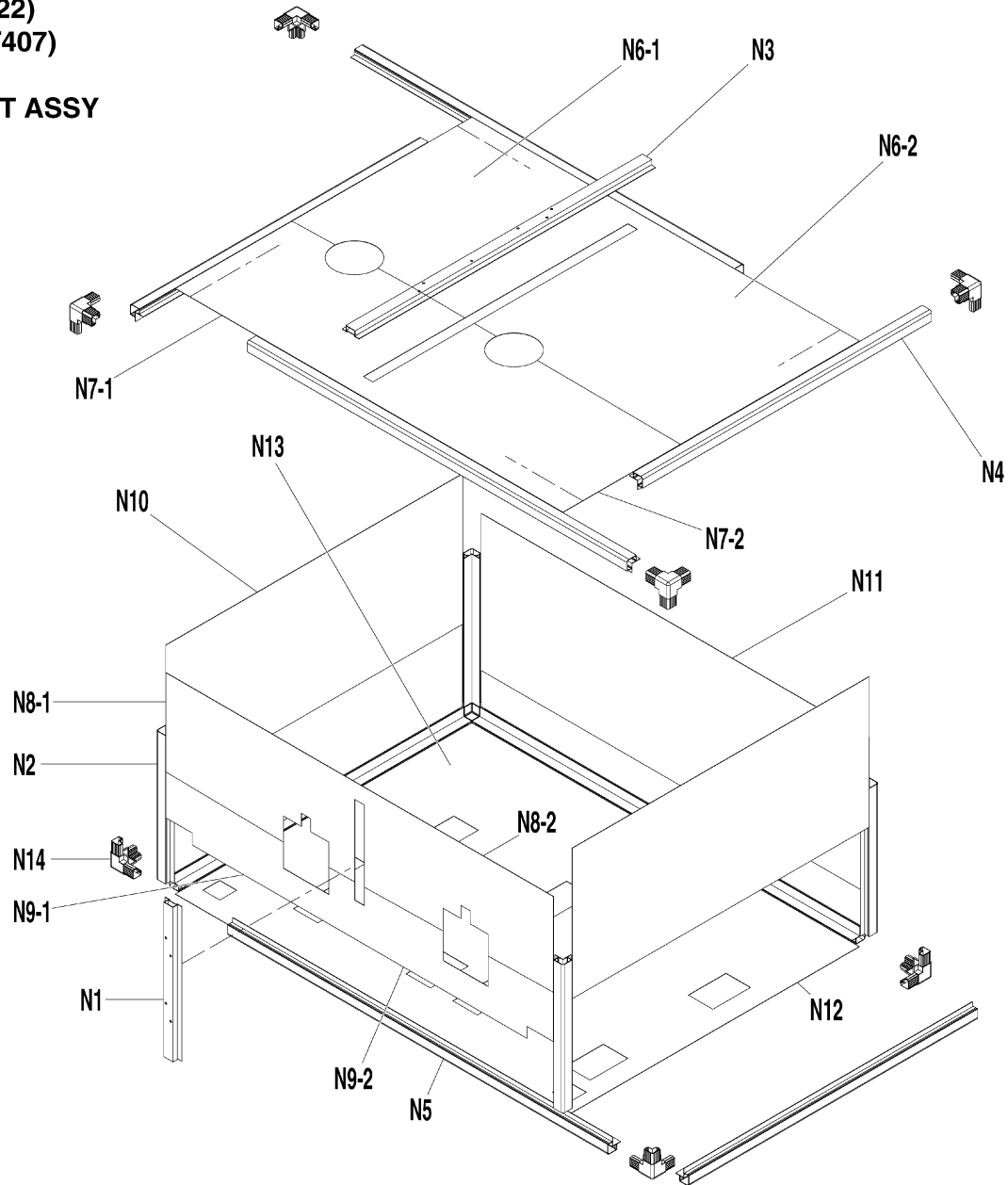
UWA380AYM(MCS285.2FST022)
UWAP360BYM(MCS285.2FST407)

VI FAN FRAME ASSY.



UWA380AYM(MCS285.2FST022)
UWAP360BYM(MCS285.2FST407)

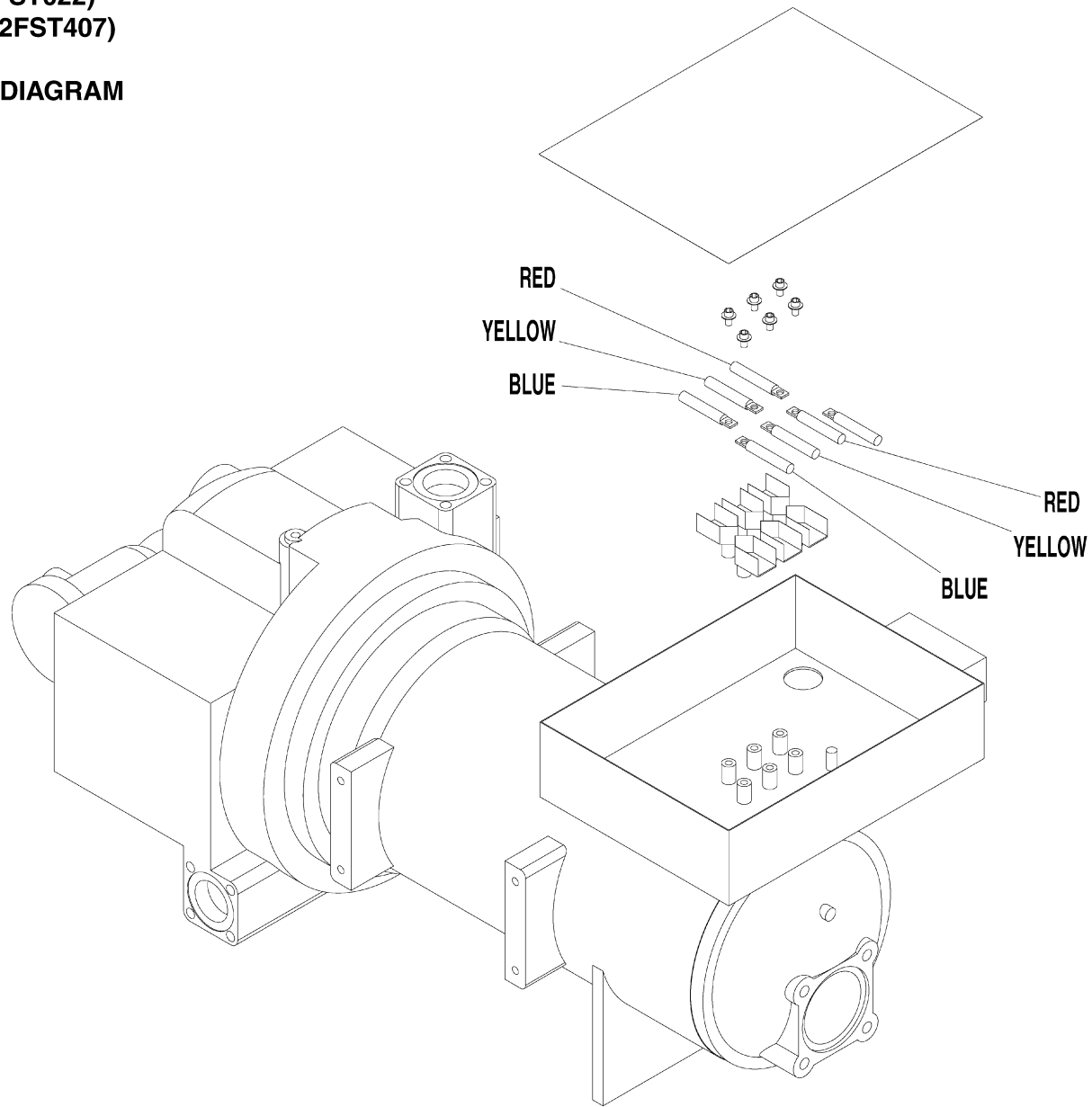
IV NOISE ISOLATOR CABINET ASSY



UWA380AYM / UWAP360BYM (McQuay Model: MCS285 .2FST022 MCS285 .2FST407)

UWA380AYM(MCS285.2FST022)
UWAP360BYM(MCS285.2FST407)

COMPRESSOR WIRING DIAGRAM



UWA380AYM / UWAP360BYM (McQuay Model: MCS285 .2FST022 MCS285 .2FST407)

No.	Index	Parts No.	Parts Name	Drwg. No.	Parts Model & Specification	Q'ty/Unit		Wiring Symbol	Notes
						UWA 380AYM	UWAP 360BYM		
A1	A	8501403	SCREW COMPRESSOR	M04019014514	HSS4221-R22 400V 50Hz 188kW SUZHOU	1		M1	
A1	A	8501306	SCREW COMPRESSOR	M04019014515	HSS4222-R22 400V 50Hz 188kW SUZHOU	1		M1	
A1	A	8501404	SCREW COMPRESSOR	M04019014525	HSS4221-R407C 400V 50Hz 188kW SUZHOU		1	M1	
A1	A	8501308	SCREW COMPRESSOR	M04019014526	HSS4222-R407C 400V 50Hz 188kW SUZHOU		1	M1	
A2		8501405	HEAT EXCHANGER	M02219362060	EU55261268	1	1		
A3	A	8501109	ELECTRICAL EXPANSION VALVE	M05019004137	ETS250 1 3/8x1 3/8 034G2001 DANFOSS	2	2	EXV1	
A4			FILTER DRIER ASSY.						
A4-1		8501111	FILTER DRIER SHELL	M02169011967	4414/17A CASTEL	2	2		
A4-2		8501112	FILTER DRIED CORE	M02069362001	4409/B CASTEL/SJ-48A	8	8		
A5		8501311	OIL SEPARATOR	M02119362004	45L 132013926 EVEN	2	2		
A6		8501312	DISCHARGE PIPE ASSY.	M50104360021		2	2		
A7	A	8501113	MOTOR	M03039360007	YDK1500-6Xc 380-415V 50Hz YONGAN	17	17	M11-M22	
A8		8501114	FAN BLADE	M03019012870	95mm TFE800-95 XINGCHANG	17	17		
B1		8501116	BASE/ CASTLE SAFETY VALVE	M05024360018	NPT 1/2	4	4		
B2	C	8501115	SAFETY VALVE	M05019362025	SFA-22C300T14 3.0MPa 1/2NPT BEITING	4	4		
B3		8501120	BASE/ REF. CHARGING VALVE	M05024360013	NPT3/8	6	6		
B4	C	8501119	CHARGE VALVE	M05014490003	CAV15 SAE3/8xNPT3/8	6	6		
B5		8501130	ACCESS VALVE	M02044362024	SAE 1/4xODS D1/4	40	40		
B6	C	8501313	BALL VALVE	M05014360015	BV016-A LUYUAN	2	2		
B7		8501314	BUTTERFLY VALVE	M05019360006	DN 100	2	2		
B8		8501128	ANGLE VALVE	M05014360001	AV024 ID54x54 LUYUAN	2	2		
B9	C	8501138	SIGHT GLASS	M02179362000	KSG-R KMP 3780/11	4	4		
B10	C	8501125	BALL VALVE	M05014460006	SBV-JA4YHOV-1 ID1/2xOD1/2 SANHUA	2	2		
B11		8501319	ANGLE FITTING	M05024360002	ORJ31 ID28.6	2	2		
B12	A	8501121	THERMAL EXPANSION VALVE	M05019360007		2	2		
B12-1	B	8501122	EXPANSION VALVE POWER ASSY.	M05019360003	TXV XB-1019-JL-IA ALCO	2	2		
B12-2	B	8501123	EXPANSION VALVE CAGES	M05019360004	TXV X10-C07 ALCO	2	2		
B12-3	B	8501124	BODY/ EXPANSION VALVE	M05019360005	TXV A576 5/8x7/8 ALCO	2	2		
B13		8501315	CHECK VALVE ASSY.	M05019011969	NRVA15/20 ID3/8x3/8	2	2		
B13-1		8501316	BODY/ CHECK VALVE	M05019012546	NRVA15/20 020-2020 DANFOSS	2	2		
B13-2		8501317	CHECK VALVE FLANGE	M05019012547	NRVA15/20 027L1117 DANFOSS	2	2		
B13-3		8501318	CHECK VALVE BOLT & GASKET	M05019012548	NRVA15/2 006-1107	2	2		
C1		8501320	PIPE CONNECTING CON. GAS HEADER (FBA)	M02014361638		2	2		
C2		8501132	REDUCER	M02014361030	ID76xOD54	2	2		
C3		8501141	ELBOW	M02144361009	COPPER ID76xOD76	1	1		
C4		8501406	ELBOW	M02144361011	ID76xOD76	2	2		

UWA380AYM / UWAP360BYM (McQuay Model: MCS285 .2FST022 MCS285 .2FST407)

No.	Index	Parts No.	Parts Name	Drwg. No.	Parts Model & Specification	Q'ty/Unit		Wiring Symbol	Notes
						UWA 380AYM	UWAP 360BYM		
C5		8501135	REDUCER	M02014361200	OD54xID42 KT/HONGJ/DF	4	4		
C6		8501152	REDUCER	M02034360003	CU OD35xID42xt2.0x64.7	4	4		
C7		8501142	ELBOW	M02144361003	COPPER ID105xOD105x90C	2	2		
C8		8501144	ELBOW	M02144361005	COPPER ID105xID105x90C	6	6		
C9		8501140	ELBOW	M02014361033		4	4		
C10		8501126	STRAINER	M02064360000	ID12.7xID12.7	2	2		
C11		8501321	JOINT	M02134371083	TEE CU ID28.6xID28.6xID28.6	2	2		
C12		8501150	ELBOW	M02144361007	COPPER ID15.88xOD15.88x90C	2	2		
C13		8501149	BRASS FLARE JOINT	M05024360000	OD16	2	2		
C14		8501151	BRASS NET	M05024360001	FLARE 7/8-14UNF	2	2		
C15		8501131	ACCESS VALVE	M02044362033	NPT 1/4BxSAE 1/4B	6	6		
D1		8501322	CHECK VALVE ASSY.	M05014360014	DN80 LUYUAN	2	2		
D2		8501323	FLANGE	M10014360041	PN1.6 DN100	2	2		
D3		8501324	FLANGE	M10014360005	PN1.6 DN100	2	2		
D4		8501325	SUCTION PIPE 2	M10014360008		2	2		
D5		8501326	COMPRESSOR SUCTION BUSH	M10014360006		2	2		
D6		8501327	COMPRESSOR SUCTION FLANGE	M10014360007		2	2		
E1	B	8501157	ELECTRONIC EXP. VALVE DERIVE MODULE	M04069365113	EVD0000200	2	2	EXVB1	
E2	B	8501158	ELECTRONIC EXP. VALVE BATTERY	M04069365114	EVBAT00100	2	2	EVBAT.1	
E3	A	8501180	MOTOR THERMAL PROTECTION	M04064365002	INT69 TM 110V (P/N131072025) KRIWAN	2	2	MP1-2	
E4		8501160	ANALOG DIGITAL BOARD	M04089013333	PC02000ALO CAREL	1	1	CP1	
E5		8501161	ANALOG DIGITAL BOARD	M04089003525	PC0E004850	1	1	EXP4	
E6	A	8501179	PHASE PROTECTOR	M04199362000	RM4-TG20 T.E.	2	2	PM1-2	
E7	B	8501159	TIME RELAY	M04059012568	RE11RAMU TE.SND	2	2	KT1/KT2	
E8	B	8501153	BREAKER	M04064365001	C65N 4P C 16A SCHNEIDER	1	1	Q12	
E9		8501154	FUSE HOLDER	M04064365101	10x38/1P (32A)/ LTJWNE (31110)	3	3	F59/F60/F62	
E9-1	A	8501155	FUSE	M04169003909	RT14-20 8A DELIIXI	2	2		
E9-2	A	8501156	FUSE	M04169003924	RT14-20 2A DELIXI	1	1		
E10-1	B	8501181	RELAY	M04059012560	RXM2AB1F7 TE.SND	3	3	K1/KM3/K12	
E10-2		8501407	RELAY SOCKET	M04059012562	RXZE2M114 T.E.SND	3	3	K1/KM3/K12	
E11	B	8501334	CONTACTOR	M04039012599	LC1-D205F5C 110V/50Hz T.E. SND	6	6	KM1-4/KM55	
E12		8501174	OVERLOAD PROTECTOR	M04179012607	LR9F5371(132-220A) T.E.SND	2	2	F51/F52	
E13-1	A	8501332	FUSE	M04169012591	NH2 GL400A (03575) WOHNER	3	3	F2	
E13-2		8501165	FUSE COVER	M04169012593	NH1-NH2 (79449) WOHNER	12	12	F1-2	
E14		8501168	FUSE HOLDER	M04169010914	01647 D0 (E18/63A/400V) WNE	2	2	F100/F200	
E15	A	8501169	FUSE	M04169012999	D02/GL63A/400V (01694) WOHNER	6	6	F100/F200	

UWA380AYM / UWAP360BYM (McQuay Model: MCS285 .2FST022 MCS285 .2FST407)

No.	Index	Parts No.	Parts Name	Drwg. No.	Parts Model & Specification	Q'ty/Unit		Wiring Symbol	Notes
						UWA 380AYM	UWAP 360BYM		
E16		8501166	FUSE HOLDER	M04069365109	E27/25A/500V (31408) WOHNER	1	1	F120	
E17	A	8501408	FUSE	M04169012600	D02 GL 16A E27 (01674) WOHNER	2	2	F120	
E18	B	8501409	TRANSFORMER	M04069365105	ABL-6TS25B 250VA/ 0-230-400V/ 0-24V	1	1	T2	
E19	B	8501162	TRANSFORMER	M04064365019	0-415/0-115 ABL-6TS250G SCHNEIDER	1	1	T1	
E20		8501178	OVERLOAD PROTECTOR	M04179003985	LRD10KN (4-6A) T.E.	17	17	OL11-18/ OL21-29	
E21	B	8501177	CONTACTOR	M04179904360	LC1D0910F7C	17	17	KM11-18/ KM21-29	
E22	A	8501410	SWITCH	M04069012616	OETL1000K3 ABB	1	1	Q10	
E23		8501163	FUSE HOLDER	M04169012592	NH2 (03693) WOHNER	2	2	F1-2	
E24	A	8501182	HUMAN MACHINE INTERFACE	M04089012430	PGD0000F00 CAREL	1	1	PGD	
E25	B	8501184	SWITCH	M04064365009	XB2-BD33C SCHNEIDER	1	1	Q0	
E26	B	8501183	SWITCH	M04064365010	XB2-BD21C SCHNEIDER	2	2	Q1-2	
E27	A	8501185	EMERGENCY SWITCH	M04064365008	XB2-BS542C SCHNEIDER	1	1	Q11	
F1		8501411	CONNECT COIL/ C-BOX TOP	M01014360850		1	1		
F2		8501412	CONNECT ELE./ CABINET & COIL L/R	M01014361217		1	1		
F3		8501412	CONNECT ELE./ CABINET & COIL L/R	M01014361217		1	1		
F4		8501413	SIDE BOARD CONNECTING LEFT CON. (FBA)	M01014361144		1	1		
F5		8501414	TOP BOARD CONNECTING CON.	M01014360436		1	1		
F6		8501415	PANEL/ BACK L/R	M01014361448		1	1		
F7		8501416	BACK/ PANEL L	M01014361450		1	1		
F8		8501417	BACK/ PANEL L	M01014361449		1	1		
F9		8501415	PANEL/ BACK L/R	M01014361448		1	1		
F10		8501212	BOARD CONNECTING FILTER DRIER & BACK CON. SUPPORT	M01014360425		2	2		
F11		8501210	BOARD SUPPORTING FILTER DRIER	M01014360426		2	2		
F12		8501211	BINDING THE DRY	M01014360427		4	4		
F13		8501418	SUPPORT EXV.	M01014361421		1	1		
F14		8501208	SUPPORT L-I VALVE	M01014361443		2	2		
F15		8501336	SUPPORT INJECTION-1 SYS.2	M01014361162		1	1		
F16		8501337	SUPPORT INJECTION-2 SYS.2	M01014361163		1	1		
F17		8501419	SUPPORT L-I SYS2 CON. COMP. 2ND	M01014361368		1	1		
F18		8501420	SUPPORT L-I SYS2 CON. COMP. 2ND	M01014361369		1	1		
F19		8501338	COMPRESSOR SUPPORT	M01014360947		4	4		
F20		8501421	COIL SUPPORT FRONT (RIGHT)	M01014361209		1	1		
F21		8501192	ENDPLATE/ FRONT 1ST/3RD COIL	M01014360867		2	2		
F22		8501422	COIL SUPPORT	M01014361219		4	4		

UWA380AYM / UWAP360BYM (McQuay Model: MCS285 .2FST022 MCS285 .2FST407)

No.	Index	Parts No.	Parts Name	Drwg. No.	Parts Model & Specification	Q'ty/Unit		Wiring Symbol	Notes
						UWA 380AYM	UWAP 360BYM		
F23		8501423	COIL SUPPORT MIDDLE (RIGHT)	M01014361210		1	1		
F24		8501424	FRONT HORIZONTAL SUPPORT/ COIL	M01014360803		4	4		
F25		8501425	CONNECTING HORIZONTAL SUPPORT/ COIL	M01014360806		8	8		
F26		8501426	MIDDLE HORIZONTAL SUPPORT/ COIL	M01014360804		4	4		
F27		8501193	ENDPLATE/ MIDDLE COIL	M01014360866		32	32		
F28		8501427	COIL SUPPORT 3RD (RIGHT)	M01014361438		1	1		
F29		8501428	ENDPLATE/ BACK 1/2/3/4 COIL	M01014361431		2	2		
F30		8501429	HORIZONTAL SUPPORT/ COIL 3RD	M01014361436		4	4		
F31		8501198	BOARD SEPARATING COILS	M01014360874		18	18		
F32		8501430	CONNECT TWO SYSTEM 3RD	M01014361437		1	1		
F33		8501431	TWO SYSTEM MIDDLE SUPPORT	M01014361233		5	5		
F34		8501432	CONNECT TWO SYSTEM 2ND	M01014361207		1	1		
F35		8501433	CONNECT TWO SYSTEM 1ST	M01014361206		1	1		
F36		8501434	BOARD SEPARATING COILS FRONT	M01014361225		1	1		
F37		8501203	ENDPLATE/ FRONT 2ND/4TH COIL	M01014360869		2	2		
F38		8501434	BOARD SEPARATING COILS FRONT	M01014361225		1	1		
F39		8501433	CONNECT TWO SYSTEM 1ST	M01014361206		1	1		
F40		8501432	CONNECT TWO SYSTEM 2ND	M01014361207		1	1		
F41		8501430	CONNECT TWO SYSTEM 3RD	M01014361437		1	1		
F42		8501200	ENDPLATE/ BACK 2ND/4TH COIL	M01014360870		2	2		
F43		8501427	COIL SUPPORT 3RD (RIGHT)	M01014361438		1	1		
F44		8501423	COIL SUPPORT MIDDLE (RIGHT)	M01014361210		1	1		
F45		8501421	COIL SUPPORT FRONT (RIGHT)	M01014361209		1	1		
F46		8501435	3RD OUTSIDE BASE FRAME	M01014361433		1	1		
F47		8501436	3RD INSIDE BASE FRAME (REVERSED)	M01014361434		1	1		
F48		8501437	2ND OUTSIDE BASE FRAME	M01014360953		1	1		
F49		8501438	2ND INSIDE BASE FRAME (REVERSED)	M01014360956		1	1		
F50		8501439	1ST OUTSIDE BASE FRAME	M01014360952		1	1		
F51		8501440	1ST INSIDE BASE FRAME (REVERSED)	M01014361212		1	1		
F52		8501441	ELECTRICAL CABLE SUPPORTER	M01014360699		1	1		
F53		8501235	FRONT BASE BEAM	M01014361213		2	2		
F54		8501442	COMP. SUPPORT	M01014361214	LN3	2	2		
F55		8501353	CABLE CHANNEL MHS-F	M01014361444	MHS-F	2	2		
F56		8501443	FRONT POST (REVERSED)	M01014360418		1	1		
F57		8501443	FRONT POST (REVERSED)	M01014360418		1	1		
F58		8501236	CABLE CHANNEL FIX	M01014361445		8	8		

UWA380AYM / UWAP360BYM (McQuay Model: MCS285 .2FST022 MCS285 .2FST407)

No.	Index	Parts No.	Parts Name	Drwg. No.	Parts Model & Specification	Q'ty/Unit		Wiring Symbol	Notes
						UWA 380AYM	UWAP 360BYM		
F59		8501444	METAL SUPPORT EXV.	M01014360963		1	1		
F60		8501445	METAL SUPPORT EVAPORATOR	M01014360962		2	2		
F61		8501222	FRONT BOARD STRENGTHEN MIDDLE POST	M01014360204		12	12		
F62		8501446	FRONT BEAM CONNECT POST	M01014361221		5	5		
F63		8501447	BASE FRAME BACK BEAM	M01014360841		1	1		
F64		8501221	MIDDLE & BACK POST	M01014360419		10	10		
F65		8501436	3RD INSIDE BASE FRAME (REVERSED)	M01014361434		1	1		
F66		8501435	3RD OUTSIDE BASE FRAME	M01014361433		1	1		
F67		8501438	2ND INSIDE BASE FRAME (REVERSED)	M01014360956		1	1		
F68		8501448	STEEVE BOARD RIGGING ASSY. METAL BASE	M01014360959		10	10		
F69		8501449	STIFFENING STEEVE BOARD	M01014360960		30	30		
F70		8501448	STEEVE BOARD RIGGING ASSY. METAL BASE	M01014360959		10	10		
F71		8501437	2ND OUTSIDE BASE FRAME	M01014360953		1	1		
F72		8501440	1ST INSIDE BASE FRAME (REVERSED)	M01014361212		1	1		
F73		8501439	1ST OUTSIDE BASE FRAME	M01014360952		1	1		
F74		8501450	OUTSIDE STIFFENING STEEVE BOARD	M01014360958		10	10		
F75		8501240	NOZZLE	M01014362001	OD850x100	17	17		
F76		8501241	UP CIRCLE	M01014360756		17	17		
F77		8501242	FAN FRAME B	M01014360849		17	17		
F78		8501243	FAN FRAME	M01014360751		17	17		
F79		8501244	BRACKET	M01019360002		68	68		
F80		8501245	BOARD LOCKING FAN MOTOR WIRES	M01014360440		18	18		
F81		8501451	SUPPORT COIL LIQUID PIPE	M01014361222		2	2		
F82		8501452	SUPPORT DISCHARGE PIPE	M01014361447		2	2		
G1		8501355	BASE/ PIPE CLIP	M10014362008	D76	4	4		
G2		8501356	TUBE CLAMP	M07054320817	ID12.7 (1/2B)	8	8		
G3		8501249	VIBRATION PAD/ COMP.	M14074360000		8	8		
G4		8501248	CLIP/ PIPE LF	M10014362001	D42	4	4		
H1		8501453	COIL ASSY. 1ST	M50024363222		1	1		
H2		8501454	COIL ASSY. 2ND	M50024363223		1	1		
H3		8501455	COIL ASSY. 3RD	M50024363224		1	1		
H4		8501456	COIL ASSY. 4TH	M50024363225		1	1		
N1		8501457	SECTIONAL MATERIAL POST	M01024100002	723 30mm A8803 6063-T5 10um	1	1		
N2		8501256	SECTIONAL MATERIAL FRAME	M01024100001	680 30mm A8803 6063-T5 10um	4	4		
N3		8501457	SECTIONAL MATERIAL POST	M01024100002	1573 30mm A8803 6063-T5 10um	1	1		
N4		8501256	SECTIONAL MATERIAL FRAME	M01024100001	1530 30mm A8803 6063-T5 10um	4	4		

UWA380AYM / UWAP360BYM (McQuay Model: MCS285 .2FST022 MCS285 .2FST407)

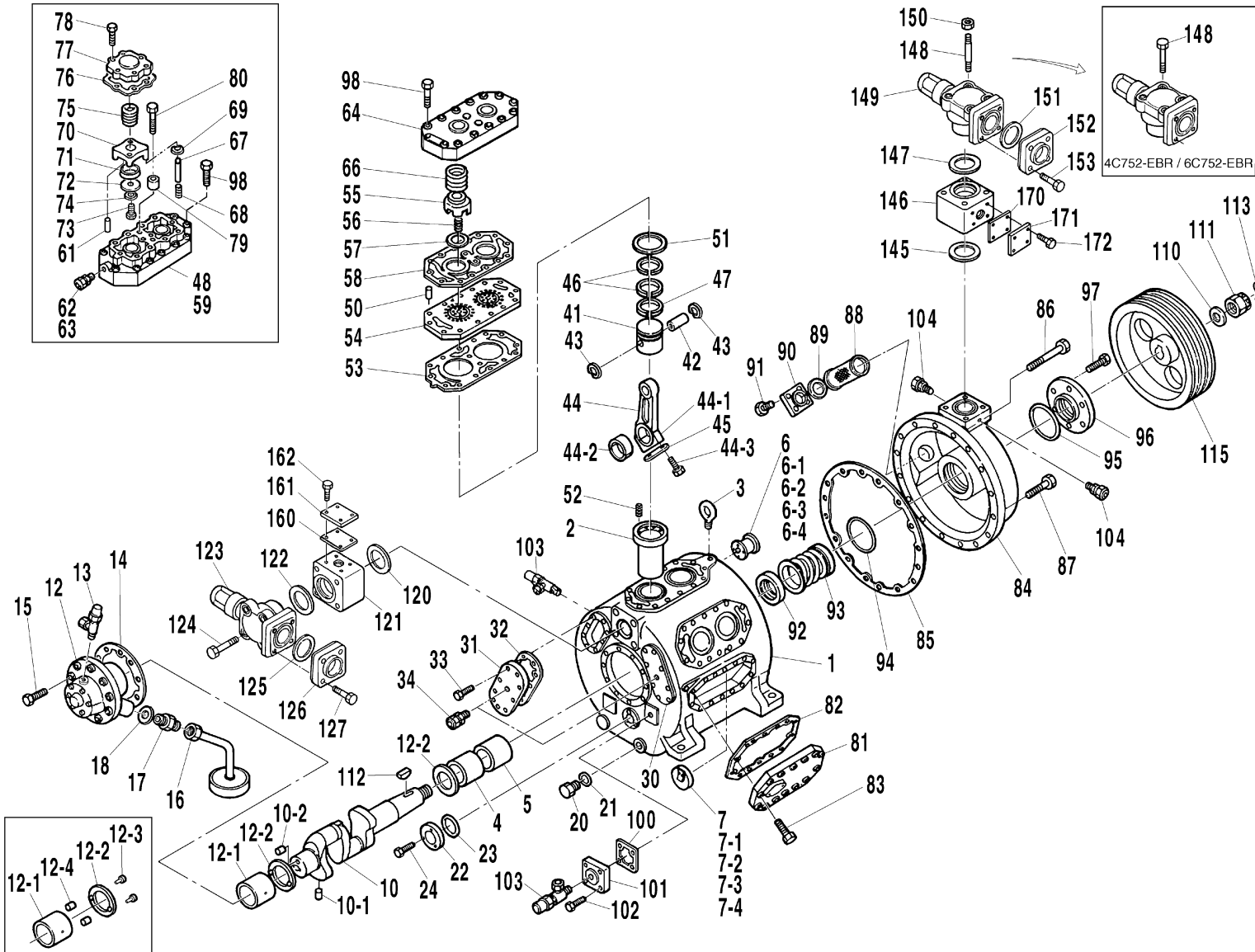
No.	Index	Parts No.	Parts Name	Drwg. No.	Parts Model & Specification	Q'ty/Unit		Wiring Symbol	Notes
						UWA 380AYM	UWAP 360BYM		
N5		8501256	SECTIONAL MATERIAL FRAME	M01024100001	2012 30mm A8803 6063-T5 10um	4	4		
N6-1		8501458	TOP PLATE 4/ NOISE ISOLATED CABINET	M50214360012	30x900x955	1	1		
N6-2		8501459	TOP PLATE 3/ NOISE ISOLATED CABINET	M50214360011	30x1100x955	1	1		
N7-1		8501460	TOP PLATE 6/ NOISE ISOLATED CABINET	M50214360014	30x900x615	1	1		
N7-2		8501461	TOP PLATE 5/ NOISE ISOLATED CABINET	M50214360013	30x1100x615	1	1		
N8-1		8501462	BACK PLATE 8/ NOISE ISOLATED CABINET	M50214360016	30x1000x254	1	1		
N8-2		8501463	BACK PLATE 10/ NOISE ISOLATED CABINET	M50214360018	30x1000x254	1	1		
N9-1		8501464	BACK PLATE 7/ NOISE ISOLATED CABINET	M50214360015	30x1000x466	1	1		
N9-2		8501465	BACK PLATE 9/ NOISE ISOLATED CABINET	M50214360017	30x1000x466	1	1		
N10			FOAMING PLATE		30x1570x720	2	2		
N11		8501466	FOAMING PLATE	M50214360022	30x2052x720	1	1		
N12		8501467	BASE PLATE 1/ NOISE ISOLATED CABINET	M50214360019	30x1026x1570	1	1		
N13		8501468	BASE PLATE 1/ NOISE ISOLATED CABINET	M50214360020	30x1026x1570	1	1		
N14		8501259	CORNER PIECE	M12014100001	30mm	8	8		
T1		8501469	ASSY. GAS PIPE 1/3	M50024360171		2	2		
T2		8501470	ASSY. LIQUID PIPE OUT 1/2/3/4	M50024360175		4	4		
T3		8501471	ASSY. GAS PIPE OUT 1/2/3/4	M50024360173		4	4		
T4		8501139	ELBOW	M02014361034		8	8		
T5		8501472	TUBE CONNECT LIQUID/ GAS PIPE	M02014360647		4	4		
T6		8501473	ASSY. LIQUID PIPE IN 1/2/3/4	M50024360174		4	4		
T7		8501474	ASSY. GAS PIPE 2/4	M50024360172		2	2		
T8		8501475	TUBE/ EVA. TO COMP. 1ST SYS1/2	M02014360284		2	2		
T9		8501476	TUBE/ EVA. TO COMP. 2ND SYS1/2	M02014360285		2	2		
T10		8501477	TUBE/ EVA. TO COMP. 3RD SYS2	M02014360287		1	1		
T11		8501478	TUBE/ EVA. TO COMP. 3RD SYS1	M02014360286		1	1		
T12		8501479	TUBE/ EVA. TO COMP. 4TH SYS1/2	M02014360288		2	2		
T13		8501480	TUBE/ EXV. TO EVA. SYS2	M02014360283		2	2		
T14		8501481	TUBE/ FILTER TO EXV. 2ND 1ST	M02014360281		2	2		
T15		8501482	TUBE/ FILTER TO EXV. 1ST SYS2	M02014360280		1	1		
T16		8501483	TUBE/ COIL OUTLET 4TH SYS1	M02014360278		1	1		
T17		8501484	TUBE/ COIL OUTLET 3RD SYS1&2	M02014360277		2	2		
T18		8501485	TUBE/ CONNECT LIQUID OUTLET R	M02014360646		1	1		
T19		8501389	OIL TUBE/ COPPER FITTING TO T-JOINT	M02014361635		2	2		
T20		8501486	OIL TUBE/ T-JOINT TO ANGLE FITTING	M02014361507	ID28.6	2	2		
T21		8501390	OIL TUBE/ CHECK VALVE TO T-JOINT	M02014361425		2	2		
T22		8501391	OIL TUBE/ BRASS FLARE JOINT CHECK VALVE	M02014361426	OD16	2	2		

UWA380AYM / UWAP360BYM (McQuay Model: MCS285 .2FST022 MCS285 .2FST407)

No.	Index	Parts No.	Parts Name	Drwg. No.	Parts Model & Specification	Q'ty/Unit		Wiring Symbol	Notes
						UWA 380AYM	UWAP 360BYM		
T23		8501388	T-L-I/ TXV. INLET SYS1/2	M02014360408		2	2		
T24		8501487	T-L-I/ BALL VALVE TO TXV. 2ND SYS1/2	M02014360407		2	2		
T25		8501488	T-L-I/ BALL VALVE TO TXV. 1ST SYS1/2	M02014360406		2	2		
T26		8501489	T-L-I/ FILTER INLET SYS1	M02014360405		1	1		
T27		8501371	T-L-I/ TXV. TO COMP. SYS1	M02014360409		1	1		
T28		8501490	TUBE/ COIL TO 4WV SYS2 1ST	M02014360344		1	1		
T29		8501491	TUBE/ OIL SERP. TO BALL VALVE SYS1	M02014360334		1	1		
T30		8501492	T-L-I/ FILTER INLET SYS2	M02014360410		1	1		
T31		8501493	TUBE/ COMP. DISCHARGE 2ND SYS1	M02014360272		1	1		
T32		8501494	TUBE/ COMP. DISCHARGE 3RD SYS1	M02014360273		1	1		
T33		8501495	TUBE/ COMP. DISCHARGE 1ST SYS2	M02014360271		1	1		
T34		8501496	TUBE/ COMP. DISCHARGE 2ND SYS2	M02014360274		1	1		
T35		8501497	TUBE/ CONNECT LIQUID OUTLET L	M02014360645		1	1		
T36		8501498	TUBE/ COIL TO 4WV SYS1 1ST	M02014360343		1	1		
T37		8501499	TUBE/ COIL OUTLET 4TH SYS2	M02014360279		1	1		
T38		8501500	TUBE/ ANGEL VALVE TO FILTER	M02014360311		2	2		
T39		8501501	TUBE/ FILTER TO EXV. 1ST SYS1	M02014360282		1	1		
K1		8501253	LABEL/ RIGGING	M08024368000	PET 207mmx172.5mm	2	2		
K2		8501254	DAIKIN LOGO	M08024360229	PET 25umx640mmx170mm	2	2		

4C752-EBR / 6C752-EBR / 8C752-EBR (R404 modification from R22 compressor)

4C752-EBR / 6C752-EBR / 8C752-EBR



4C752-EBR / 6C752-EBR / 8C752-EBR (R404 modification from R22 compressor)

No.	Index	Parts No.	Parts Name	Drwg. No.	Parts Model & Specification	Q'ty/Unit			Wiring Symbol	Notes
						4C 752-EBR	6C 752-EBR	8C 752-EBR		
1			FRAME ASSY.	4PC05047-1		1				
1			FRAME ASSY.	4PC05047-2	1					
1			FRAME ASSY.	4PC05047-3			1			
2		112114	CYLINDER LINER	R3112431-1	4	6	8			
3		0163723	HANGING BOLT	4SK01301-24	M24 128x90xD45	1	1	1		
4		1515512	BEARING METAL (SEAL SIDE)	3PC05049-3	SEAL SIDE	1	1	1		
5		1515529	BEARING METAL (CRANKCASE SIDE)	3PC05050-3	CRANKCASE SIDE	1	1	1		
6		112716	DEMISTER ASSY.	R4141200-1	D40x60	1	1	1		
6-1			SET PLATE	R4141200-1-KA	D40xt3.2	2	2	2		
6-2			SIDE NET	R4141200-1-KI	D40xt3.5	1	1	1		
6-3			HEX. BOLT	4PC00342-50N	M6x50	1	1	1		
6-4			HEX. NUT	4SK06001-6N	M6	3	3	3		
7		109519	OIL CHECK VALVE ASSY.	R4141049-1	D50	1	1	1		
7-1		1095192	VALVE PLATE/ CHECK VALVE	R4141049-2		1	1	1		
7-2		1095193	GASKET/ CHECK VALVE	R4141049-3		1	1	1		
7-3			OIL CHECK VALVE GROUND	R4141109		1	1	1		
7-4		0443311	PAN HEAD MACHINE SCREW (+)	4SK03003-8	M4x8	2	2	2		
10		0220114	CRANK SHAFT ASSY.	2PC00173-1	L=685	1				
10		0220121	CRANK SHAFT ASSY.	2PC00173-2	L=685		1			
10		0220138	CRANK SHAFT ASSY.	2PC00173-3	L=685			1		
10-1		109509	BLIND PLUG/ OIL PUMP	R41367-4		2	2	2		
10-2		0097415	STOPPER/ CRANKSHAFT	R413704-1	10D*11	1	1	1		
12	A	1788295	OIL PUMP ASSY.	2PC05044-3	T75B-ALR	1	1	1		
12-1		1515505	BEARING METAL/ PUMP SIDE	3PC05051-3	D73xL67.8	1	1	1		
12-2		0057835	THRUST BEARING ASSY.	3PC00337-1	D88xD74xt8.7	2	2	2		
12-3		112133	KNOCK PIN/ THRUST METAL	R4113091-1		4	4	4		
12-4		0097415	STOPPER/ CRANKSHAFT	R413704-1	10D*11	1	1	1		
13		270002	STOP VALVE	2PF00162-2	VSV4P	3	3	3		
14		0131980	PACKING/ OIL PUMP	R4112267-2	D210xt0.5	1	1	1		
15		0323501	SET BOLT/ SIDE COVER	4SK01006-30TN	M10x30	10	10	10		
16		112525	OIL SUCTION FILTER	R3141375	175x150	1	1	1		
17		112541	UNION JOINT/ OIL FILTER	R4141133	7/8-14UNF 31.2xL70.5	1	1	1		
18		112542	PACKING/ OIL SUCTION PIPE	R414653	D28x22.5xt1	1	1	1		
20		133705	OIL DRAIN PLUG	R4141045-1	7/8-14UNF 34.6x31	1	1	1		
21	C	1106608	O-RING	3SK19002-16	HNBR-P22	1	1	1		
22		205106	SIGHT GLASS	ME42051-2	D27 D60xt7.3	1	1	1		

4C752-EBR / 6C752-EBR / 8C752-EBR (R404 modification from R22 compressor)

No.	Index	Parts No.	Parts Name	Drwg. No.	Parts Model & Specification	Q'ty/Unit			Wiring Symbol	Notes
						4C 752-EBR	6C 752-EBR	8C 752-EBR		
23	C	1135961	O-RING/ SIGHT GLASS	3SK19002-22		1	1	1		
24		139903	HEX. BOLT	4SK01004-16N	M6x16	3	3	3		
30		112106	BLIND COVER	R4112432-1-KA	208x104x12	1	1	1		
31		112107	BLIND COVER	R4112432-2-KA	208x104x12	1	1	1		
32		0131997	PACKING/ BLIND COVER	R4112433-2	208x104xt0.5	2	2	2		
33		0806873	HEX. BOLT	4PC00299-28TN	M10x28	16	16	16		
34		292004A	GAUGE JOINT/ CHECK VALVE FOR OIL PRESSURE	R3225010	VCG2DA D6.4CuT NPTF1/8-27	2	2	2		
41		112201	PISTON	R312538	D75xL67	4	6	8		
42		121209	PISTON PIN	3PC00174-5	D26xL57.5	4	6	8		
43		121211	RETAINER/ PISTON PIN	TI30012-14	D27.9xt1.2	8	12	16		
44		1678343	CONNECTING ROD ASSY.	3PC05053-2	L=161.5	4	6	8		
44-1		112225	SET PIN/ CONNECTING ROD	R412676-1	D2x9.8	8	12	16		
44-2		1455247	CRANK PIN METAL	3PC05052-1	D55.8xL19	8	12	16		
44-3		112221	BOLT/ CONNECTING ROD	R412470	M8x56	8	12	16		
45		139214	LOCK WASHER/ CONNECTING ROD	4PC00655-1	98x16x5xt0.8	4	6	8		
46		112204	PRESSURE RING	R412471-1	D75xt2.5	8	12	16		
47		112205	OIL RING	R412472-1	D75x4.0	4	6	8		
48		112101	CYLINDER HEAD COVER (A)	2PC00175-1		1				
48		112100	CYLINDER HEAD COVER (A)	R2112249-1-KA			2	3		
50		132107	KNOCK PIN/ VALVE SEAT	4PC00021-1	D5xL24	4	6	8		
51		112601	SUCTION VALVE PLATE	R416665-1	OD99xID76xt1.0	4	6	8		
52		112603	SPRING/ SUCTION VALVE	R416754-1	D6.4xL6	24	36	48		
53		0139636	PACKING/ VALVE SEAT	R316720-2	308x154xt0.5	2	3	4		
54		1365003	VALVE SEAT	R216718	308x154xt9	2	3	4		
55		112605	DISCHARGE VALVE GROUND	R416667	D53x24	4	6	8		
56		112604	SPRING/ DISCHARGE VALVE	R416755	D10.1xL10	24	36	48		
57		112602	DISCHARGE VALVE	R416666-1	OD53xID27xt1.0	4	6	8		
58		0131942	PACKING/ CYLINDER HEAD COVER	R3112254-3	308x145xt0.5	2	3	4		
59		112102	CYLINDER HEAD COVER (A)	2PC00175-4		1				
61		112708	PIN/ UNLOADED PISTON	R4141155-2	D5xL32	3	4	6		
62		252001A	HALF UNION JOINT	NI42021-1	UFD-2B 1/4B D6.4CuT	2	2	3		
63		250001	FLARE NUT	NI43011-1	FNS2 1/4B D6.4CuT	2	2	3		
64		112103	CYLINDER HEAD COVER (B)	R2112251-1			1	1		
66		112606	SAFETY SPRING	R416669	D57x34.2	4	6	8		
67		112705	LIFT PIN/ UNLOADER	R418154-1	D5xL68.5	12	16	24		
68		112706	SPRING/ LIFT PIN	R418158	D8.7xL16	12	16	24		

4C752-EBR / 6C752-EBR / 8C752-EBR (R404 modification from R22 compressor)

No.	Index	Parts No.	Parts Name	Drwg. No.	Parts Model & Specification	Q'ty/Unit			Wiring Symbol	Notes
						4C 752-EBR	6C 752-EBR	8C 752-EBR		
69		109707	E-RING/ LIFT PIN	TI40013-6	D9xD4	12	16	24		
70		112701	UNLOADED PISTON	R318180	67.5x75x25	3	4	6		
71		112703	PACKING/ UNLOADED PISTON	R318186	D48.9xD40.5xt4.5	3	4	6		
72		112702	RETAINER/ UNLOADED PISTON	R418184-2	D47.5xD6.1xt2.0	3	4	6		
73		0323518	HEX. BOLT	4SK01004-12N	M6x12	3	4	6		
74		1849208	SPRING WASHER	4SK07101-6N	M6	3	4	6		
75		112704	SPRING/ UNLOADER	R418181	D33.5xL35.5	3	4	6		
76		0132008	PACKING/ UNLOADED COVER	R418151-2	112x110xt0.5	4	4	6		
77		112700	COVER/ UNLOADED COVER	R318179-1		4	4	6		
78		0225931	HEX. BOLT	4PC00335-28TN	M8x28	24	24	36		
79		132986	SPACER/ HEAD COVER SET BOLT	R4112724-1	HC752X OD17.3xD10.9xt14	4	4	6		
80			HEX. BOLT	4PC00299-115TN		4	4	6		
81		112105	SIDE COVER/ CRANKCASE	R2112253-1-KA		2	2	2		
82		0131973	PACKING/ SIDE COVER	R3112434-2	308x154xt0.5	2	2	2		
83		0323501	SET BOLT/ SIDE COVER	4SK01006-30TN	M10x30	28	28	28		
84		112530	BODY/ SUCTION FILTER	R226950-1-KA				1		
84		112529	BODY/ SUCTION FILTER	R226950-1-KI			1			
84		112528	BODY/ SUCTION FILTER	R226950-1-KU		1				
85		0131966	PACKING/ SUCTION SIDE COVER	R3112271-2	D448xt0.5	1	1	1		
86		132953	HEX. BOLT	SI41008-160TN	M16x160	2	2	2		
87		0323493	HEX. BOLT	4SK01008-45TN	M16x45	14	14	14		
88	C	112526	SUCTION FILTER	R326949-2	D78xL185	1	1	1		
89		0131810	PACKING/ SUCTION FILTER	3PC01269-14	OD90xD78xt0.5	1	1	1		
90		112531	BLIND COVER/ SUCTION FILTER	R4261029-1		1	1	1		
91		139908	HEX. BOLT	4SK01006-40TN	M10x40	4	4	4		
92		112304	RING/ SHAFT SEAL	R415412-2	D76.3xt9	1	1	1		
93		112401	SHAFT SEAL	R315413-2	(J.C)1 3/4B	1	1	1		
94	C	1646050	O-RING/ FILTER	3SK19002-43	HNBR-P100 D111xD5.7	1	1	1		
95	C	1607839	O-RING/ SEAL SIDE	3SK19002-41	HNBR-P90 D101xD5.7	1	1	1		
96		112720	SIDE COVER/ SHAFT SEAL SIDE	R315403-3		1	1	1		
97			HEX. BOLT/ SIDE COVER	4SK01005-20N	M8x20	6	6	6		
98		132918	HEX. BOLT/ CYLINDER HEAD COVER	SI41006-75TN	M10x75	18	28	42		
100		0131911	PACKING/ OIL CHARGE PORT	R4111133-2	D60xt0.5	1	1	1		
101		112713	COVER/ OIL CHARGE	R4141199	D60xt10	1	1	1		
102			HEX. BOLT/ SIDE COVER	4SK01005-20N	M8x20	4	4	4		
103		0134910	STOP VALVE ASSY.	2PF00163-2	VSV7PX	2	2	2		

4C752-EBR / 6C752-EBR / 8C752-EBR (R404 modification from R22 compressor)

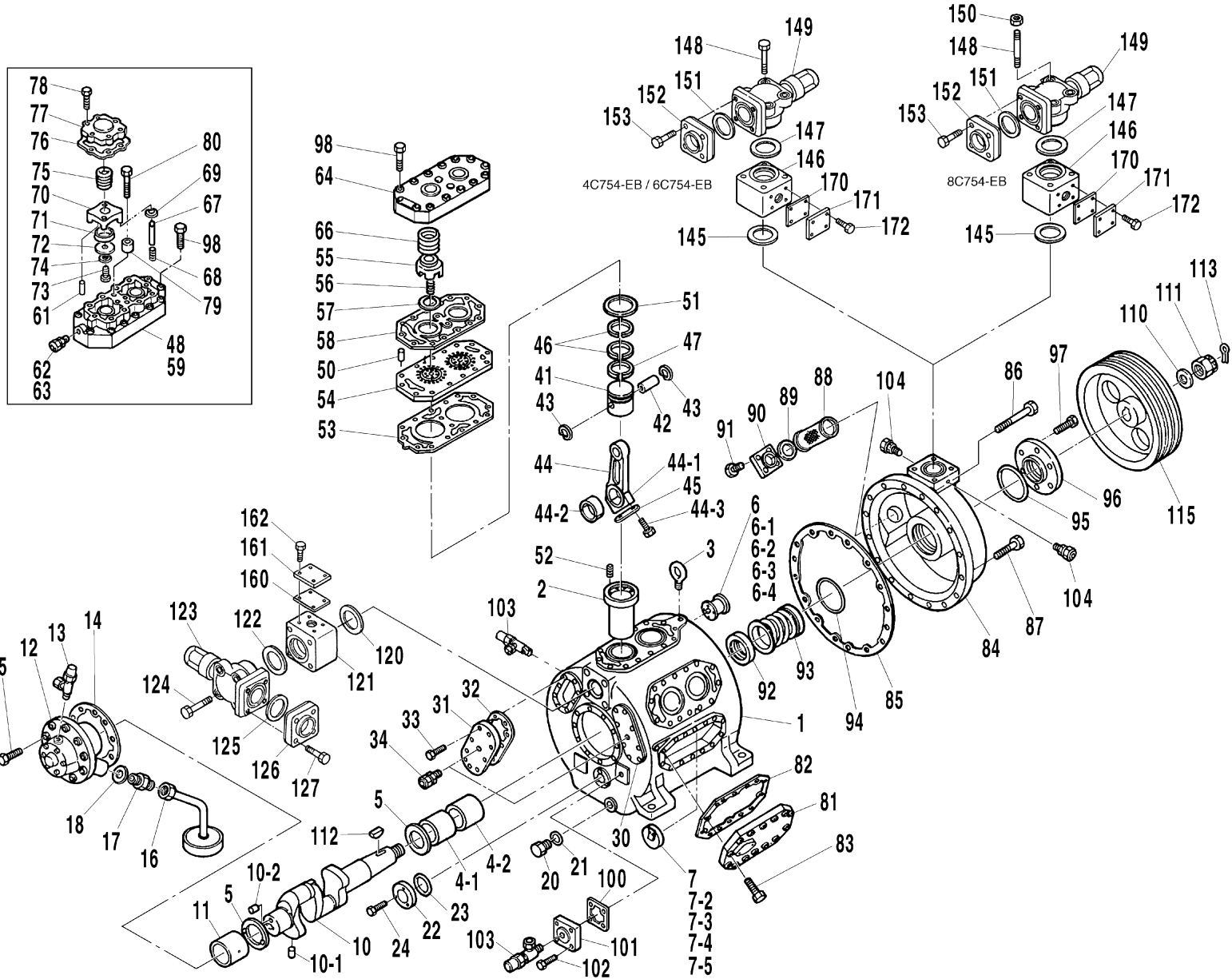
No.	Index	Parts No.	Parts Name	Drwg. No.	Parts Model & Specification	Q'ty/Unit			Wiring Symbol	Notes
						4C 752-EBR	6C 752-EBR	8C 752-EBR		
104		292004A	GAUGE JOINT/ CHECK VALVE FOR OIL PRESSURE	R3225010	VCG2DA D6.4CuT NPTF1/8-27	2	2	2		
110		121318	WASHER/ CRANKSHAFT	R413185	OD48xID31xt4	1	1	1		
111		132303	LOCK NUT/ CRANKSHAFT	R413434	M30 53.1x18	1	1	1		
112		121322	KEY/ CRANKSHAFT	R413511	31.4x13xt10	1	1	1		
113		0220107	SPLIT PIN	4SK09005-50	D5xL=50	1	1	1		
115		112902	COMPRESSOR PULLEY ASSY.	R317302	3CX320	1				
115		112901	COMPRESSOR PULLEY ASSY.	R317303	5CX320		1	1		
120	C	0132356	PACKING/ CONNECTING FLANGE	4SK20013-5	OD72xID56xt0.8	1	1			
120	C	0132363	PACKING/ CONNECTING FLANGE	4SK20013-6	OD86xID68xt0.8			1		
121		263101	SPACER/ STOP VALVE	R3221145-4		1	1			
121		263102	SPACER/ STOP VALVE	R3221145-5				1		
122	C	0132356	PACKING/ CONNECTING FLANGE	4SK20013-5	OD72xID56xt0.8	1	1			
122	C	0132363	PACKING/ CONNECTING FLANGE	4SK20013-6	OD86xID68xt0.8			1		
123		271113A	STOP VALVE/ DISCHARGE	VSL40D	VSL40D	1	1			
123		0131221	STOP VALVE/ DISCHARGE	VSL50D	VSL50D			1		
124			FIXING BOLT/ STOP VALVE	R4296063-2		4	4			
124			FIXING BOLT/ STOP VALVE	R4296063-3				4		
125	C	0132356	PACKING/ CONNECTING FLANGE	4SK20013-5	OD72xID56xt0.8	1	1			
125	C	0132363	PACKING/ CONNECTING FLANGE	4SK20013-6	OD86xID68xt0.8			1		
126		260004	CONNECTING FLANGE	NI30011-8	V40-48 D48.6ST	1	1			
126		260005	CONNECTING FLANGE	NI30011-10	V50-60 D60.5ST			1		
127			HEX. BOLT	4SK01008-60N	M16x60	4	4			
127		139923	HEX. BOLT	4SK01008-65N	M16x65			4		
145	C	0132356	PACKING/ CONNECTING FLANGE	4SK20013-5	OD72xID56xt0.8	1				
145	C	0132363	PACKING/ CONNECTING FLANGE	4SK20013-6	OD86xID68xt0.8		1			
145	C	0132387	PACKING/ CONNECTING FLANGE	4SK20013-8	OD102xID82xt1.0			1		
146		263101	SPACER/ STOP VALVE	R3221145-4		1				
146		263102	SPACER/ STOP VALVE	R3221145-5			1			
146		0488934	SPACER/ STOP VALVE	R4221149				1		
147	C	0132356	PACKING/ CONNECTING FLANGE	4SK20013-5	OD72xID56xt0.8	1				
147	C	0132363	PACKING/ CONNECTING FLANGE	4SK20013-6	OD86xID68xt0.8		1			
147	C	0132387	PACKING/ CONNECTING FLANGE	4SK20013-8	OD102xID82xt1.0			1		
148			FIXING BOLT/ STOP VALVE	R4296063-2		4				
148			FIXING BOLT/ STOP VALVE	R4296063-3			4			
148		0603632	STUD BOLT	SI41116-110N	M20x110			4		
149		271113A	STOP VALVE/ DISCHARGE	VSL40D	VSL40D	1				

4C752-EBR / 6C752-EBR / 8C752-EBR (R404 modification from R22 compressor)

No.	Index	Parts No.	Parts Name	Drwg. No.	Parts Model & Specification	Q'ty/Unit			Wiring Symbol	Notes
						4C 752-EBR	6C 752-EBR	8C 752-EBR		
149		0131221	STOP VALVE/ DISCHARGE	VSL50D	VSL50D		1			
149		271006	STOP VALVE	VSL70A	VSL70A			1		
150		0979050	HEX. NUT/ CRANKSHAFT	4SK06001-20N	M205T			8		
151	C	0132356	PACKING/ CONNECTING FLANGE	4SK20013-5	OD72xID56xt0.8	1				
151	C	0132363	PACKING/ CONNECTING FLANGE	4SK20013-6	OD86xID68xt0.8		1			
151	C	0132387	PACKING/ CONNECTING FLANGE	4SK20013-8	OD102xID82xt1.0			1		
152		260004	CONNECTING FLANGE	NI30011-8	V40-48 D48.6ST	1				
152		260005	CONNECTING FLANGE	NI30011-10	V50-60 D60.5ST		1			
152		260007	CONNECTING FLANGE	NI30011-14	V70-76 D76.3ST			1		
153			HEX. BOLT	4SK01008-60N	M16x60	4				
153		139923	HEX. BOLT	4SK01008-65N	M16x65		4			
153			HEX. BOLT	4SK01009-90N				4		
160		0131795	PACKING/ BLIND COVER	R4221147-4		1	1	1		
161		263103	BLIND COVER	R4221146-2		1	1	1		
162			HEX. BOLT	4SK01005-16TN		4	4	4		
170		0131795	PACKING/ BLIND COVER	R4221147-4		1	1	1		
171		263103	BLIND COVER	R4221146-2		1	1	1		
172			HEX. BOLT	4SK01005-16TN		4	4	4		

4C754-EB / 6C754-EB / 8C754-EB (Revised from PL-709)

4C754-EB / 6C754-EB / 8C754-EB



4C754-EB / 6C754-EB / 8C754-EB (Revised from PL-709)

No.	Index	Parts No.	Parts Name	Drwg. No.	Parts Model & Specification	Q'ty/Unit			Wiring Symbol	Notes
						4C 754-EB	6C 754-EB	8C 754-EB		
1			FRAME ASSY.	4PC05564-1		1				Do not supply.
1			FRAME ASSY.	4PC05564-2			1			Do not supply.
1			FRAME ASSY.	4PC05564-3				1		Do not supply.
2		112114	CYLINDER LINER	R3112431-1		4	6	8		
3		0163723	HANGING BOLT	4SK01301-24	M24 128x90xD45	1	1	1		
4-1		1515512	BEARING METAL (SEAL SIDE)	3PC05049-3	SEAL SIDE	1	1	1		
4-2		1515529	BEARING METAL (CRANK CASE SIDE)	3PC05050-3	CRANK CASE SIDE	1	1	1		
5		0057835	THRUST BEARING ASSY.	3PC00337-1	D88xD74x8.7	2	2	2		
6		112716	DEMISTER ASSY.	R4141200-1	D40x60	1	1	1		
6-1			SET PLATE	R4141200-1-KA	D40xt3.2	2	2	2		
6-2			SET PLATE WITH SIDE NET	R4141200-1-KI	D40xt3.5	1	1	1		
6-3			HEX. BOLT	4PC00342-50N	M6x50	1	1	1		
6-4			HEX. NUT	4SK06001-6N	M6	3	3	3		
7		109519	OIL CHECK VALVE ASSY.	R4141049-1	D50	1	1	1		
7-2		1095192	VALVE PLATE/ CHECK VALVE	R4141049-2		1	1	1		
7-3		1095193	GASKET/ CHECK VALVE	R4141049-3		1	1	1		
7-4			OIL CHECK VALVE GROUND	R4141109		1	1	1		
7-5		0443311	PAN HEAD MACHINE SCREW (+)	4SK03003-8	M4x8	2	2	2		
10		0220114	CRANK SHAFT ASSY.	2PC00173-1	L=685	1				
10		0220121	CRANK SHAFT ASSY.	2PC00173-2	L=685		1			
10		0220138	CRANK SHAFT ASSY.	2PC00173-3	L=685			1		
10-1		109509	BLIND PLUG/ OIL PUMP	R41367-4		2	2	2		
10-2		0097415	STOPPER/ CRANKSHAFT	R413704-1	10D*11	1	1	1		
11		1515505	BEARING METAL/ PUMP SIDE	3PC05051-3	D73xL67.8	1	1	1		
12	A	1788295	OIL PUMP ASSY.	2PC05044-3	T75B-ALR	1	1	1		
13		270002	STOP VALVE	2PF00162-2	VSV4P	3	3	3		
14		0131980	PACKING/ OIL PUMP	R4112267-2	D210xt0.5	1	1	1		
15		0323501	SET BOLT/ SIDE COVER	4SK01006-30TN	M10x30	10	10	10		
16		112525	OIL SUCTION FILTER	R3141375	175x150	1	1	1		
17		112541	UNION JOINT/ OIL FILTER	R4141133	7/8-14UNF 31.2xL70.5	1	1	1		
18		112542	PACKING/ OIL SUCTION PIPE	R414653	D28x22.5xt1	1	1	1		
20		133705	OIL DRAIN PLUG	R4141045-1	7/8-14UNF 34.6x31	1	1	1		
21	C	1106608	O-RING	3SK19002-16	HNBR-P22	1	1	1		
22		205106	SIGHT GLASS	ME42051-2	D27 D60xt7.3	1	1	1		
23	C	1135961	O-RING/ SIGHT GLASS	3SK19002-22	HNBR	1	1	1		
24		139903	HEX. BOLT	4SK01004-16N	M6x16	3	3	3		

4C754-EB / 6C754-EB / 8C754-EB (Revised from PL-709)

No.	Index	Parts No.	Parts Name	Drwg. No.	Parts Model & Specification	Q'ty/Unit			Wiring Symbol	Notes
						4C 754-EB	6C 754-EB	8C 754-EB		
30		112106	BLIND COVER	R4112432-1-KA	208x104x12	1	1	1		
31		112107	BLIND COVER	R4112432-2-KA	208x104x12	1	1	1		
32		0131997	PACKING/ BLIND COVER	R4112433-2	208x104xt0.5	2	2	2		
33		0806873	HEX. BOLT	4PC00299-28TN	M10x28	16	16	16		
34		292004A	GAUGE JOINT/ CHECK VALVE FOR OIL PRESSURE	R3225010	VCG2DA D6.4CuT NPTF1/8-27	2	2	2		
41		112201	PISTON	R312538	D75xL67	4	6	8		
42		121209	PISTON PIN	3PC00174-5	D26xL57.5	4	6	8		
43		121211	RETAINER/ PISTON PIN	TI30012-14	D27.9xt1.2	8	12	16		
44		1678343	CONNECTING ROD ASSY.	3PC05053-2	L=161.5	4	6	8		
44-1		112225	SET PIN/ CONNECTING ROD	R412676-1	D2x9.8	8	12	16		
44-2		1455247	CRANK PIN METAL	3PC05052-1	D55.8xL19	8	12	16		
44-3		112221	BOLT/ CONNECTING ROD	R412470	M8x56	8	12	16		
45		139214	LOCK WASHER/ CONNECTING ROD	4PC00655-1	98x16x5xt0.8	4	6	8		
46		112204	PRESSURE RING	R412471-1	D75xt2.5	8	12	16		
47		112205	OIL RING	R412472-1	D75x4	4	6	8		
48		1856213	CYLINDER HEAD COVER (A)	2PC00175-8		1	2	3		
50		132107	KNOCK PIN/ VALVE SEAT	4PC00021-1	D5xL24	4	6	8		
51		112601	SUCTION VALVE PLATE	R416665-1	OD99xID76xt1	4	6	8		
52		112603	SPRING/ SUCTION VALVE	R416754-1	D6.4xL6	24	36	48		
53		0139636	PACKING/ VALVE SEAT	R316720-2	308x154xt0.5	2	3	4		
54		1365003	VALVE SEAT	R216718	308x154xt9	2	3	4		
55		112605	DISCHARGE VALVE GROUND	R416667	D53x24	4	6	8		
56		112604	SPRING/ DISCHARGE VALVE	R416755	D10.1xL10	24	36	48		
57		112602	DISCHARGE VALVE	R416666-1	OD53xID27xt1	4	6	8		
58		0131942	PACKING/ CYLINDER HEAD COVER	R3112254-3	308x145xt0.5	2	3	4		
59		1856220	CYLINDER HEAD COVER (A)	2PC00175-9		1				
61		112708	PIN/ UNLOADER PISTON	R4141155-2	D5xL32	3	4	6		
62		252001A	HALF UNION JOINT	NI42021-1	UFD-2B 1/4B D6.4CuT	2	2	3		
63		250001	FLARE NUT	NI43011-1	FNS2 1/4B D6.4CuT	2	2	3		
64		1856237	CYLINDER HEAD COVER (B)	R2112251-4			1	1		
66		112606	SAFETY SPRING	R416669	D57x34.2	4	6	8		
67		112705	LIFT PIN/ UNLOADER	R418154-1	D5xL68.5	12	16	24		
68		112706	SPRING/ LIFT PIN	R418158	D8.7xL16	12	16	24		
69		109707	E-RING/ LIFT PIN	TI40013-6	D4	12	16	24		
70		112701	UNLOADER PISTON	R318180	67.5x75x25	3	4	6		
71		112703	PACKING/ UNLOADER PISTON	R318186	D48.9xD40.5xt4.5	3	4	6		

4C754-EB / 6C754-EB / 8C754-EB (Revised from PL-709)

No.	Index	Parts No.	Parts Name	Drwg. No.	Parts Model & Specification	Q'ty/Unit			Wiring Symbol	Notes
						4C 754-EB	6C 754-EB	8C 754-EB		
72		112702	RETAINER/ UNLOADER PISTON	R418184-2	D47.5xD6.1xt2	3	4	6		
73		0323518	HEX. BOLT	4SK01004-12N	M6x12	3	4	6		
74		1849208	SPRING WASHER	4SK07101-6N	M6	3	4	6		
75		112704	SPRING/ UNLOADER	R418181	D33.5xL35.5	3	4	6		
76		0132008	PACKING/ UNLOADER COVER	R418151-2	112x110xt0.5	4	4	6		
77		1856244	UNLOADER CAP	R318179-5		4	4	6		
78		0225931	HEX. BOLT	4PC00335-28TN	M8x28	24	24	36		
79		132986	SPACER/ HEAD COVER SET BOLT	R4112724-1	HC752X OD17.3xD10.9x14	4	4	6		
80			HEX. BOLT	4PC00299-115TN		4	4	6		
81		1856251	SIDE COVER	R2112253-5-KA		2	2	2		
82		0131973	PACKING/ SIDE COVER	R3112434-2	308x154xt0.5	2	2	2		
83		0323501	SET BOLT/ SIDE COVER	4SK01006-30TN	M10x30	28	28	28		
84		1856268	SUCTION FILTER BODY	R2261162-2-KA				1		
84		1856275	SUCTION FILTER BODY	R2261162-2-KI			1			
84		1856282	SUCTION FILTER BODY	R2261162-2-KU		1				
85		0131966	PACKING/ SUCTION SIDE COVER	R3112271-2	D448xt0.5	1	1	1		
86		132953	HEX. BOLT	SI41008-160TN	M16x160	2	2	2		
87		0323493	HEX. BOLT	4SK01008-45TN	M16x45	14	14	14		
88	C	112526	SUCTION FILTER	R326949-2	D78xL185	1	1	1		
89		0131810	PACKING/ SUCTION FILTER	3PC01269-14	OD90xD78xt0.5	1	1	1		
90		1856299	BLIND CAP/ SUCTION FILTER	4PC05569-1	D102x29	1	1	1		
91		139908	HEX. BOLT	4SK01006-40TN	M10x40	4	4	4		
92		112304	RING/ SHAFT SEAL	R415412-2	D76.3xt9	1	1	1		
93		112401	SHAFT SEAL	R315413-2	(J.C)1 3/4B	1	1	1		
94	C	1646050	O-RING/ FILTER	3SK19002-43	HNBR-P100 D111xD5.7	1	1	1		
95	C	1607839	O-RING/ SEAL SIDE	3SK19002-41	HNBR-P90 D101xD5.7	1	1	1		
96		1856307	SIDE COVER/ SEAL SIDE	R315403-4		1	1	1		
97			HEX. BOLT/ SIDE COVER	4SK01005-20N	M8x20	6	6	6		
98		132918	HEX. BOLT/ CYLINDER HEAD COVER	SI41006-75TN	M10x75	18	28	42		
100		0131911	PACKING/ OIL CHARGE PORT	R4111133-2	D60xt0.5	1	1	1		
101		112713	COVER/ OIL CHARGE	R4141199	D60xt10	1	1	1		
102			HEX. BOLT/ SIDE COVER	4SK01005-20N	M8x20	4	4	4		
103		0134910	STOP VALVE ASSY.	2PF00163-2	VSV7PX	2	2	2		
104		292004A	GAUGE JOINT/ CHECK VALVE FOR OIL PRESSURE	R3225010	VCG2DA D6.4CuT NPTF1/8-27	2	2	2		
110		121318	WASHER/ CRANKSHAFT	R413185	OD48xD31xt4	1	1	1		
111		132303	LOCK NUT/ CRANKSHAFT	R413434	M30 53.1x18	1	1	1		

4C754-EB / 6C754-EB / 8C754-EB (Revised from PL-709)

No.	Index	Parts No.	Parts Name	Drwg. No.	Parts Model & Specification	Q'ty/Unit			Wiring Symbol	Notes
						4C 754-EB	6C 754-EB	8C 754-EB		
112		121322	KEY/ CRANKSHAFT	R413511	31.4x13xt10	1	1	1		
113		0220107	SPLIT PIN	4SK09005-50	L=50	1	1	1		
115		112902	COMPRESSOR PULLEY ASSY.	R317302		1				
115		112901	COMPRESSOR PULLEY ASSY.	R317303			1	1		
120	C	0132356	PACKING/ CONNECTING FLANGE	4SK20013-5	OD72xID56xt0.8	1	1			
120	C	0132363	PACKING/ CONNECTING FLANGE	4SK20013-6	OD86xID68xt0.8			1		
121		263101	SPACER/ STOP VALVE	R3221145-4		1	1			
121		263102	SPACER/ STOP VALVE	R3221145-5				1		
122	C	0132356	PACKING/ CONNECTING FLANGE	4SK20013-5	OD72xID56xt0.8	1	1			
122	C	0132363	PACKING/ CONNECTING FLANGE	4SK20013-6	OD86xID68xt0.8			1		
123		271113A	STOP VALVE/ DISCHARGE	VSL40D	VSL40D	1	1			
123		0131221	STOP VALVE/ DISCHARGE	VSL50D	VSL50D			1		
124			FIXING BOLT/ STOP VALVE	R4296063-2		4	4			
124			FIXING BOLT/ STOP VALVE	R4296063-3				4		
125	C	0132356	PACKING/ CONNECTING FLANGE	4SK20013-5	OD72xID56xt0.8	1	1			
125	C	0132363	PACKING/ CONNECTING FLANGE	4SK20013-6	OD86xID68xt0.8			1		
126		260005	CONNECTING FLANGE	NI30011-10	V50-60			1		
126		260004	CONNECTING FLANGE	NI30011-8	V40-48	1	1			
127			HEX. BOLT	4SK01008-60N	M16x60	4	4			
127		139923	HEX. BOLT	4SK01008-65N	M16x65			4		
145	C	0132356	PACKING/ CONNECTING FLANGE	4SK20013-5	OD72xID56xt0.8	1				
145	C	0132363	PACKING/ CONNECTING FLANGE	4SK20013-6	OD86xID68xt0.8		1			
145	C	0132387	PACKING/ CONNECTING FLANGE	4SK20013-8	OD102xID82xt1.0			1		
146		263101	SPACER/ STOP VALVE	R3221145-4		1				
146		263102	SPACER/ STOP VALVE	R3221145-5			1			
146		0488934	SPACER/ STOP VALVE	R4221149				1		
147	C	0132356	PACKING/ CONNECTING FLANGE	4SK20013-5	OD72xID56xt0.8	1				
147	C	0132363	PACKING/ CONNECTING FLANGE	4SK20013-6	OD86xID68xt0.8		1			
147	C	0132387	PACKING/ CONNECTING FLANGE	4SK20013-8	OD102xID82xt1.0			1		
148			FIXING BOLT/ STOP VALVE	R4296063-2		4				
148			FIXING BOLT/ STOP VALVE	R4296063-3			4			
148		0603632	STUD BOLT	SI41116-110N	M20x110			4		
149		271113A	STOP VALVE/ DISCHARGE	VSL40D	VSL40D	1				
149		0131221	STOP VALVE/ DISCHARGE	VSL50D	VSL50D		1			
149		271006	STOP VALVE	VSL70A	VSL70A			1		
150		0979050	HEX. NUT	4SK06001-20N	M205T	6	6	8		

4C754-EB / 6C754-EB / 8C754-EB (Revised from PL-709)

No.	Index	Parts No.	Parts Name	Drwg. No.	Parts Model & Specification	Q'ty/Unit			Wiring Symbol	Notes
						4C 754-EB	6C 754-EB	8C 754-EB		
151	C	0132356	PACKING/ CONNECTING FLANGE	4SK20013-5	OD72xID56xt0.8	1				
151	C	0132363	PACKING/ CONNECTING FLANGE	4SK20013-6	OD86xID68xt0.8		1			
151	C	0132387	PACKING/ CONNECTING FLANGE	4SK20013-8	OD102xID82xt1.0			1		
152		260005	CONNECTING FLANGE	NI30011-10	V50-60		1			
152		260007	CONNECTING FLANGE	NI30011-14	V70-76			1		
152		260004	CONNECTING FLANGE	NI30011-8	V40-48	1				
153			HEX. BOLT	4SK01008-60N	M16x60	4				
153		139923	HEX. BOLT	4SK01008-65N	M16x65		4			
153			HEX. BOLT	4SK01009-90N				4		
160		0131795	PACKING/ BLIND COVER	R4221147-4		1	1	1		
161		263103	BLIND COVER	R4221146-2		1	1	1		
162			HEX. BOLT	4SK01005-16TN		4	4	4		
170		0131795	PACKING/ BLIND COVER	R4221147-4		1	1	1		
171		263103	BLIND COVER	R4221146-2		1	1	1		
172			HEX. BOLT	4SK01005-16TN		4	4	4		